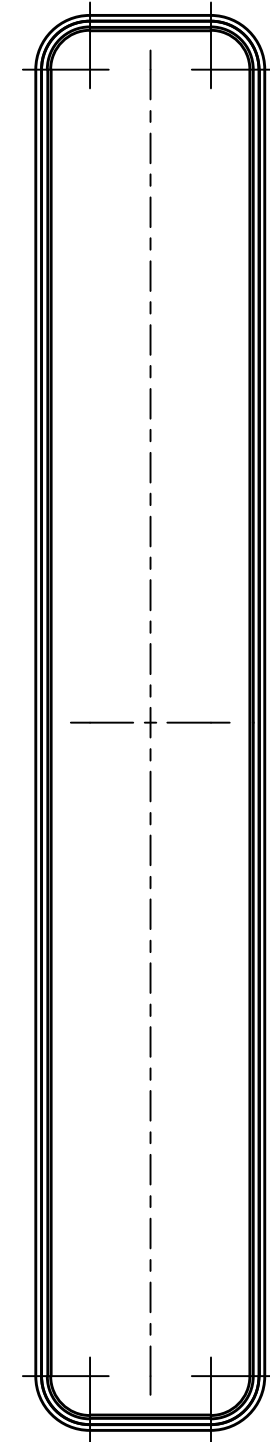
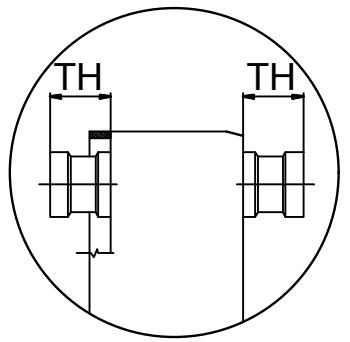
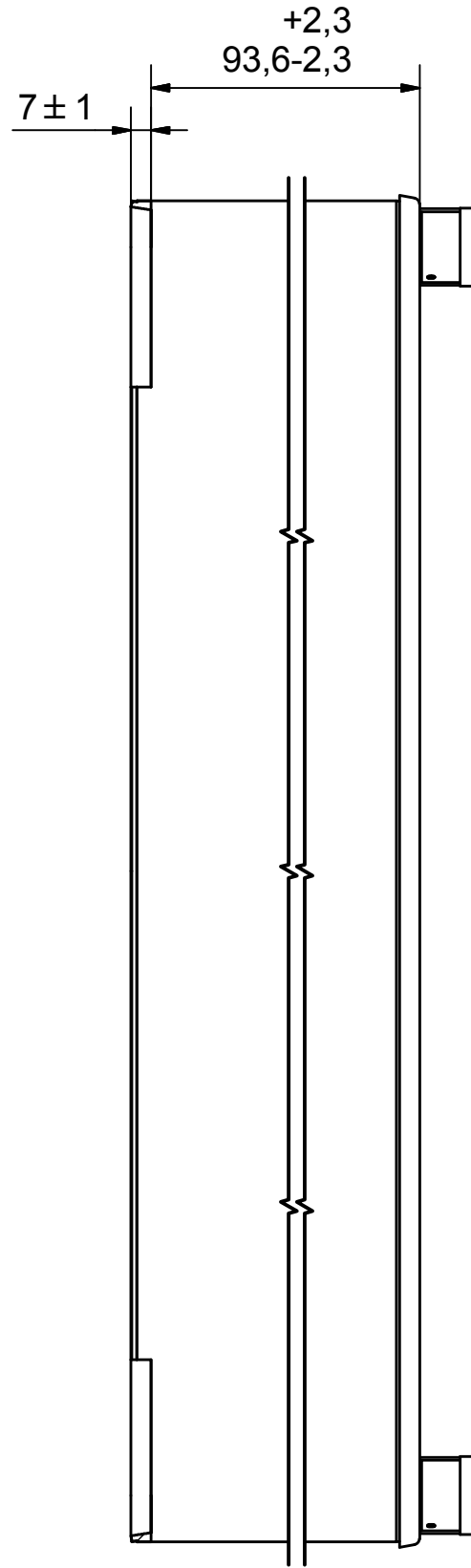


NOTE 1



NOTE 1 ALTERNATE MARKING: STICKER OR STAMP

F4	32835	ISO-G 3/4" & SOLDER 16, TH = 20,1	CD000859
F3	33221	SOLDER 22U, TH = 20,1	CD001017
F2	32835	ISO-G 3/4" & SOLDER 16, TH = 20,1	CD000859
F1	33221	SOLDER 22U, TH = 20,1	CD001017

Pos	Article No	Title / Denomination, code, material, dimension etc	Drawing No./ref	Pos	Article No	Title / Denomination, code, material, dimension etc	Drawing No./ref
-----	------------	---	-----------------	-----	------------	---	-----------------

Title B15THx040/1P-SC-M 2x22U+2x3/4"&16			
 A DOVER COMPANY		Created Date 2017-11-28	Created By AU
		Article/Configuration number 15864-040	Drawing number AU00321382