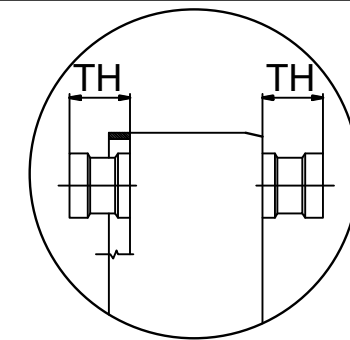
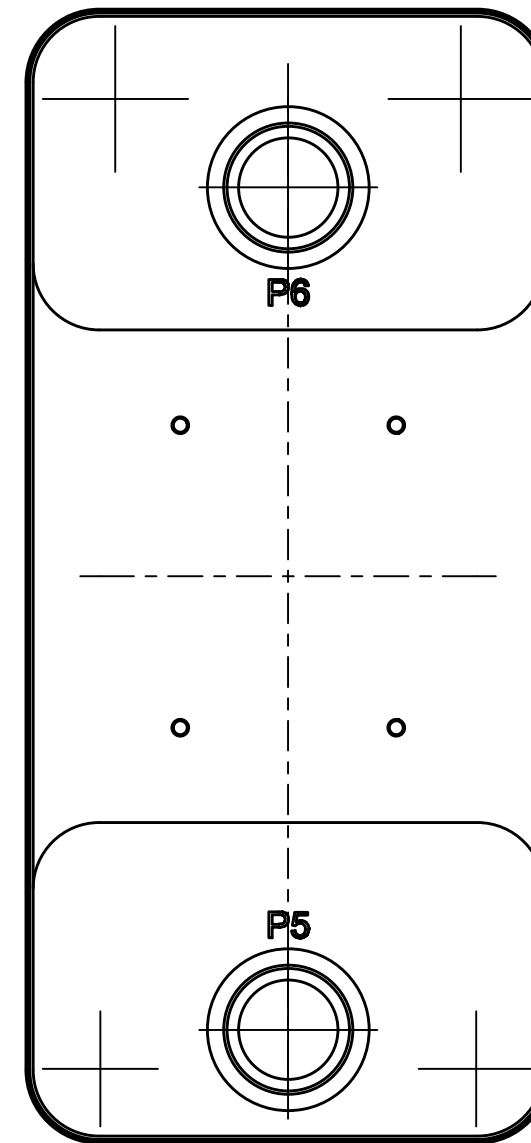
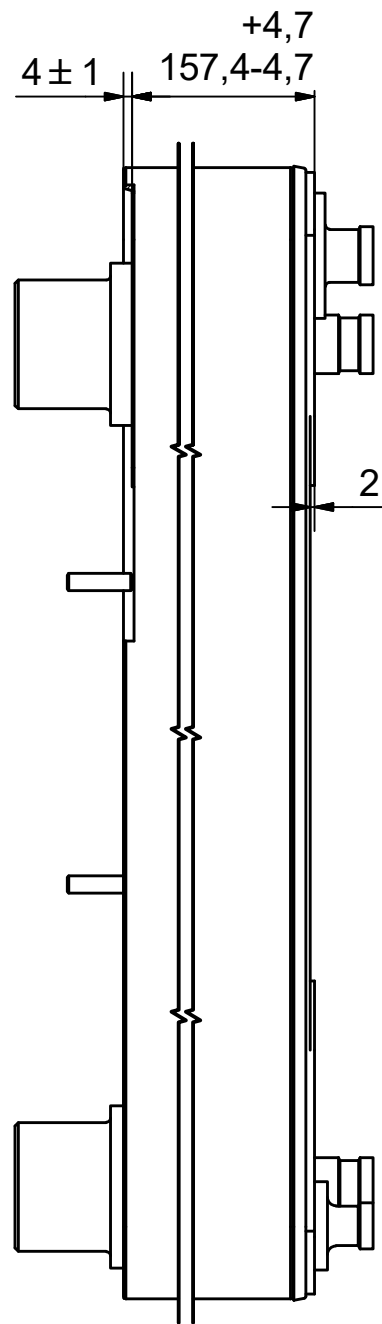
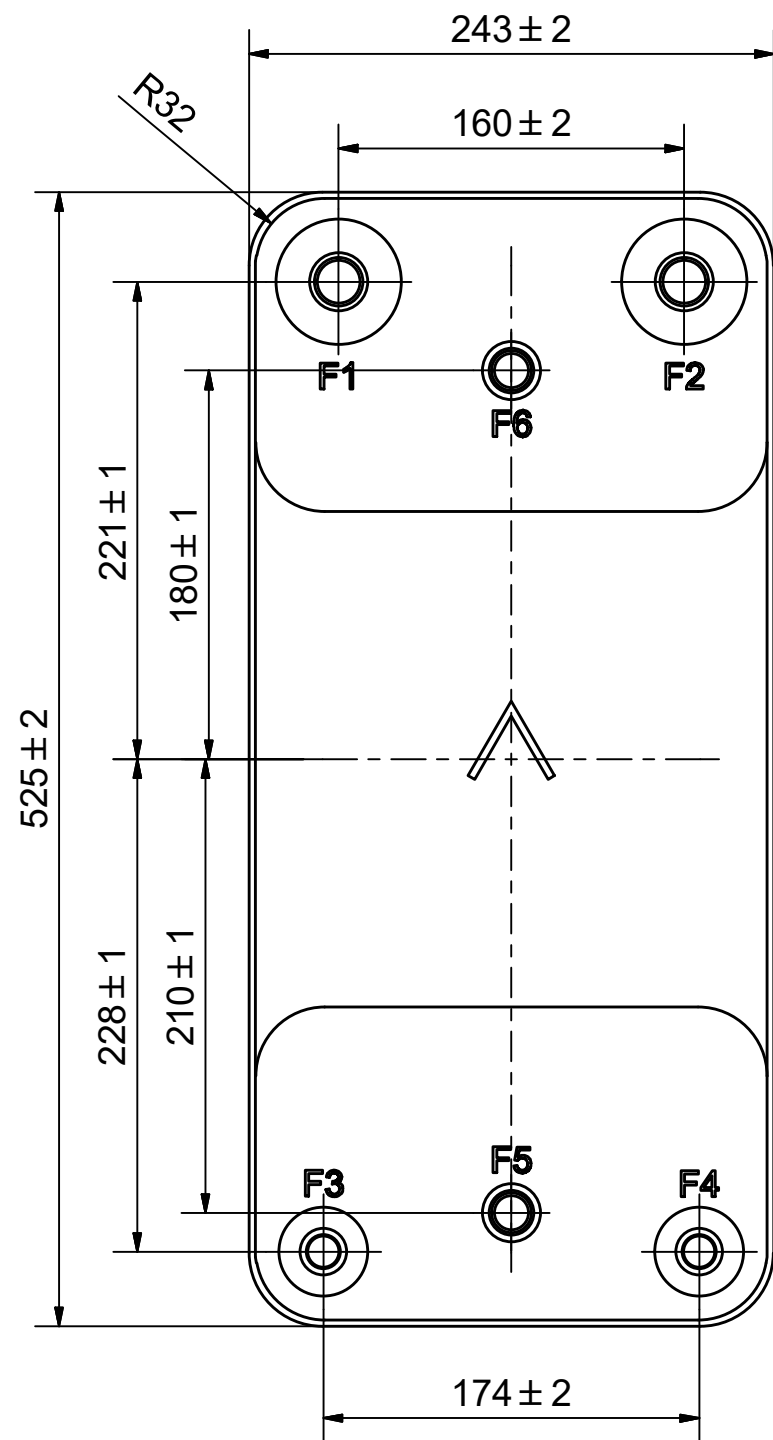




© Company Confidential, Property of SWEP International AB



NOTE 1 ALTERNATE MARKING: STICKER OR STAMP

F6	45314	ISO-G 1/2 INT, TH = 27.1	CD000004				
F5	45314	ISO-G 1/2 INT, TH = 27.1	CD000004				
F4	45612	SOLDER ø16, TH = 27.1	CD000198				
F3	45612	SOLDER ø16, TH = 27.1	CD000198	P6	36104	ISO-G 2" , TH = 54.2	CD001405
F2	33565	SOLDER 22U, TH = 27.1	CD001076	P5	36104	ISO-G 2" , TH = 54.2	CD001405
F1	33565	SOLDER 22U, TH = 27.1	CD001076	P	21767	D300 STUD BOLT P 4XC140x100	CG300014
Pos	Article No	Title / Denomination, code, material, dimension etc	Drawing No./ref	Pos	Article No	Title / Denomination, code, material, dimension etc	Drawing No./ref

Title				DBD300Hx78/1P-SC-M 16+2x22U+16+2x1/2INT / 2x2"			
 A DOVER COMPANY		Created Date	7/1/2021	Created By	AU		
		Article/Configuration number	D300*578109.00	Drawing number	AU00646207		