

COMPRESSOR

Displacement (cm ³)	2.42
Diameter (mm)	18.0
Stroke (mm)	9.6
Net Weight (Kg)	5.3
Oil type	ISO VG 19 ESTER
Oil charge (cm ³)	200

MOTOR

Approximate Power (CV)	1/20
Voltage/Frequency (V/Hz)	220V 50Hz
Voltage range (V)	198-264
Code	70.009
Type	RSIR
Phase number	1 PH
Locked rotor current (A)	5.5
Main W. resist. at 25°C (Ω)	47.52
Start W. resist. at 25°C (Ω)	25.7

APPLICATION

Application	Low back pressure
Refrigerant	R134a
Evaporating (°C)	-35 to -10
Expansion	Capillar
Comp. cooling	Static
Max. ambient temp. (°C)	43

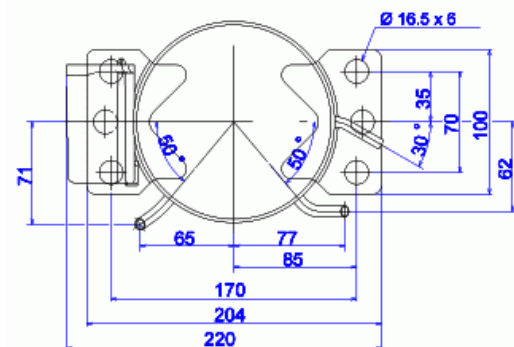
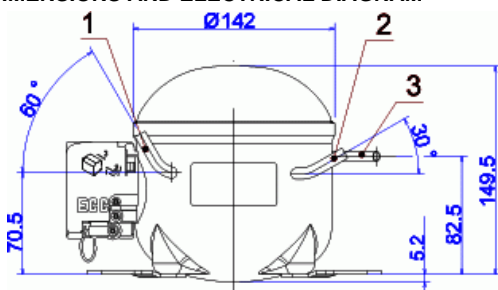
NOMINAL PERFORMANCE	CYCLE A	CYCLE B
Cooling capacity (kcal/h)	29	41
Input power (W)	67	70
EER (kcal/Wh)	0.43	0.58
COP (W/W)	0.50	0.68
Current (A)	0.63	0.63

TEST CONDITIONS

Evaporating temp. (°C)	-25.0	-23.3
Condensing temp. (°C)	55.0	55.0
Liq.t. entering expan. (°C)	55.0	32.0
Ambient t. and return (°C)	32.0	32.0
Tens/Freq (V/Hz)	220V 50Hz	220V 50Hz

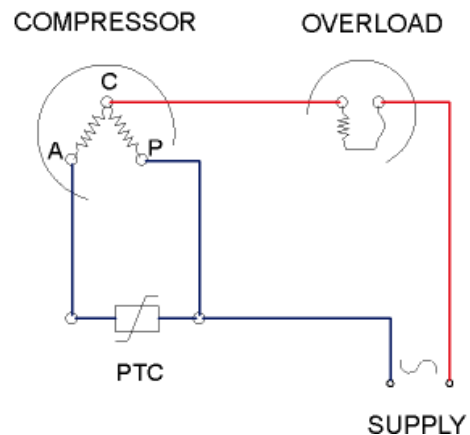
ELECTRICAL COMPONENTS

Relay	PTC 3003 - K100	
Nominal voltage (V)	200 - 240	
Resistanceμ	14,00	
Protector	T0320	4TM166NFBYY
Current (A)	3.7	4.5
Time check (seg)	7.5-14	5-15
Disc temp. (Open/Close) (°C)	120.0 / 62.0	120.0 / 61.0

DIMENSIONS AND ELECTRICAL DIAGRAM


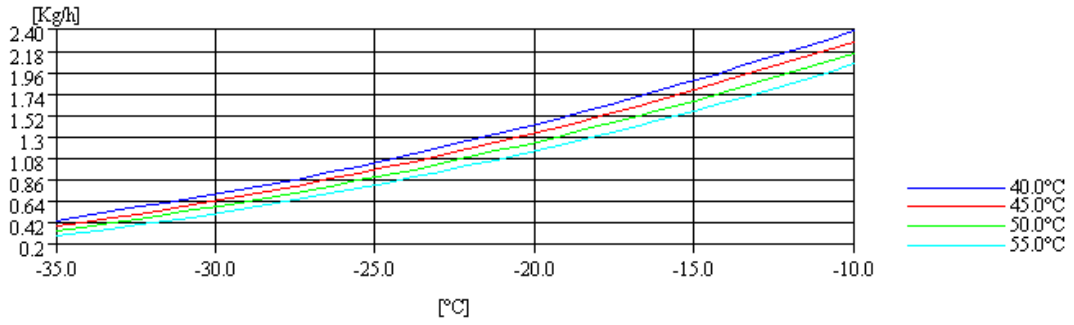
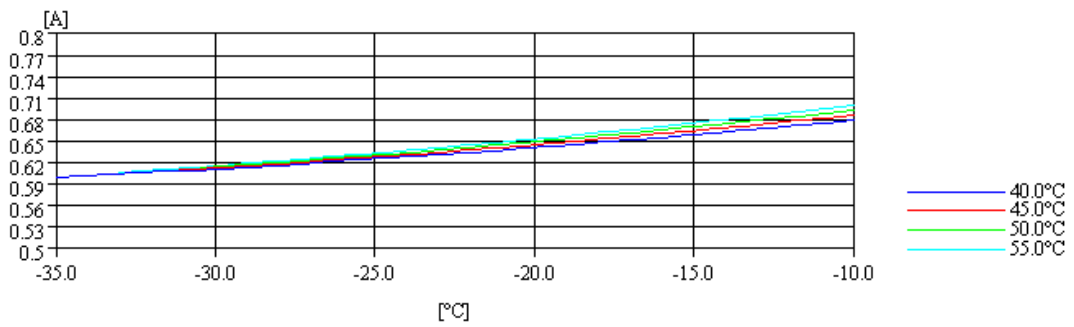
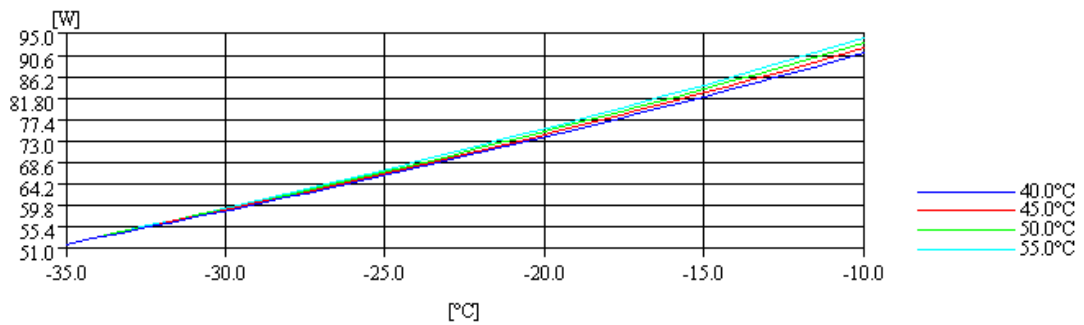
	DESIGNATION	INTERNAL DIAM. (MM)
1	Suction/Service	6.5
2	Service/Suction	6.5
3	Discharge	4.9

RSIR



TEST CONDITIONS

Voltage/frequency	220V 50Hz
Ambient t. and return	32 °C
Liq.t. entering expan.	Subcooling at 32 °C

MASS FLOW

INTENSITY

CONSUMPTION

COOLING CAPACITY
