

Condensing Unit Technical Data Sheet

Model CGE80TG_N
Voltage 220-240/230V 50/60Hz ~1
Refrigerant R134a

APPLICATION

Application	High Back Pressure
Refrigerant	R134a
Evaporating Temp.	-15,0 °C to 10,0 °C
Expansion	Capillar/Valve
Comp. Cooling	Fan cooled
Max. ambient temp.	43,0 °C

COMPRESSOR

Displacement	8,10 cm ³
Diameter	24,28 mm
Stroke	17,50 mm
Oil type	ISO VG 22 ESTER
Oil charge	220 cm ³

MOTOR

Nominal Power	1/4 hp
Voltage/Frequency	230V 60Hz
Voltage range	196-253 V
Type	CSIR
Phase number	1 PH
Locked Rotor Amps (LRA)	14,70 A
Max. Cont. Current (MCC)	0,00 A
Main W. resist. at 25°C	9,60 Ω
Start W. resist. at 25°C	24,50 Ω

NOMINAL PERFORMANCE

Cooling Capacity	970 W
COP	2,13 W/W
EER	1,83 kCal/Wh
Input Power	455 W
Current	1,98 A

ASHRAE

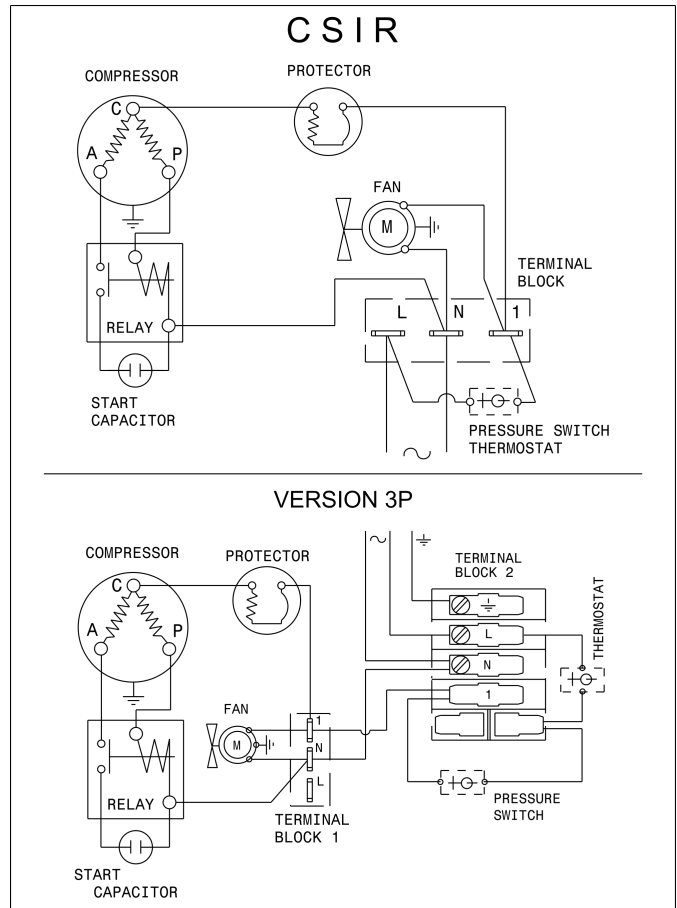
TEST CYCLE CONDITIONS

	HBP
Evaporating temp. (T _e)	7,2 °C
Condensing temp. (T _c)	55,0 °C
Liquid temp. (T _{liq.})	46,0 °C
Ambient temp. (T _{amb.})	35,0 °C
Suction temp. (T _{suction})	35,0 °C
Voltage/Frequency	230 V 60 Hz

CONDENSER AND FAN DATA

Condenser type	CU-AL
Condenser model	8T 4R
Fan blade (Ø mm / °)	200 / 28
Fan motor	5W 200V 50/60Hz

WIRING DIAGRAM



REFRIGERATION CAPACITY (W) Evaporating Temperature (°C)

Model	Motor	-25	-15	-5	5	7.2			10
						W	Winp	A	
CGE80TG_N	CSIR	-	361	550	879	970	455	1.98	1096

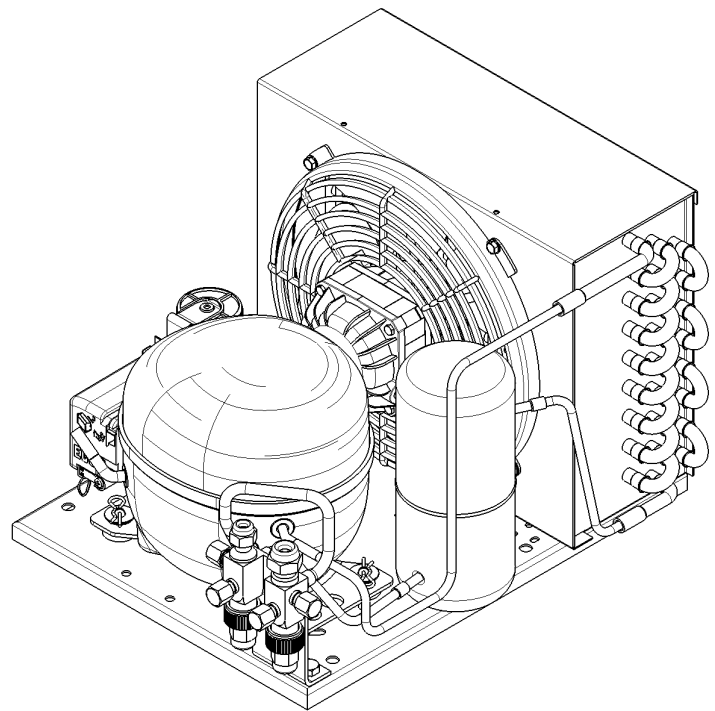
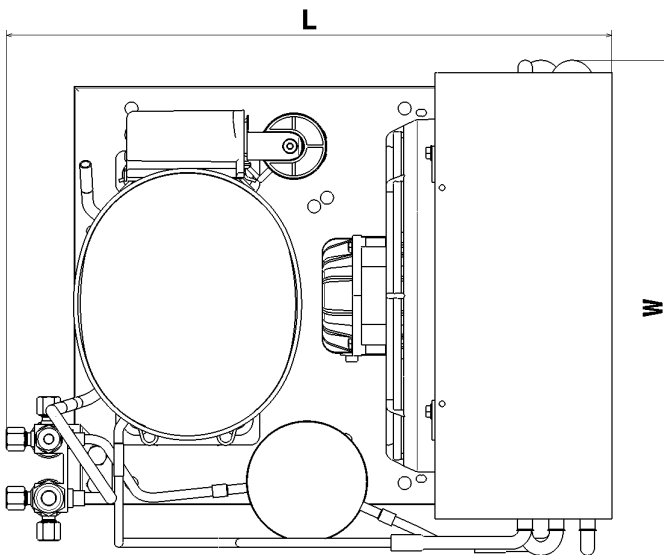
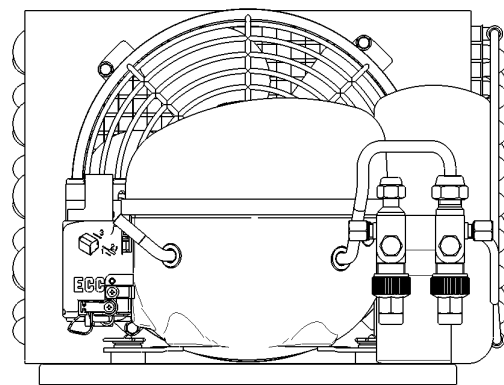
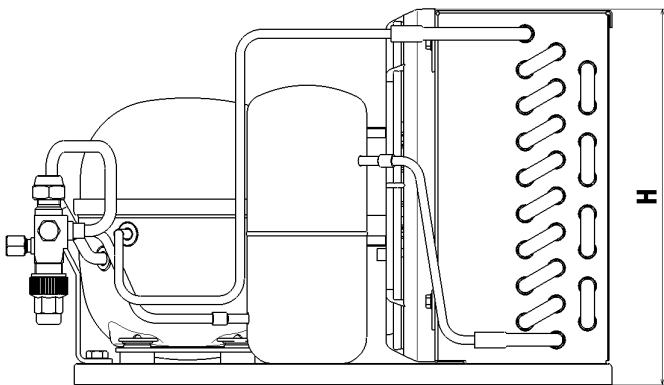
ASHRAE HBP: Condensing temperature: 55°C, Liquid temperature: 46°C, Suction temperature: 35°C, Ambient temperature: 35°C

Condensing Unit Technical Data Sheet

VERSIONS

VERSION 1	VERSION 2	VERSION 3	VERSION 3P	VERSION 4
Tube	Service valve	Service valve and receiver	Service valve, receiver, pressure switch	Schrader valve on the service port
Suction tube internal diam.: 6,2 mm Discharge tube internal diam.: 4,9 mm Net Weight: 13,5 Kg	Suction valve: 3/8" Discharge valve: 1/4" Net Weight: 14,0 Kg	Receiver vol.: 0,9 l Suction valve: 3/8" Discharge valve: 1/4" Net Weight: 16,8 Kg	Receiver vol.: 0,9 l Suction valve: 3/8" Discharge valve: 1/4" Net Weight: 17,9 Kg	Suction tube internal diam.: 6,2 mm Discharge tube internal diam.: 4,9 mm Net Weight: 14,5 Kg

DIMENSIONS (Version 3 drawing)



VERSION 1-4 (WxLxH) (mm)	VERSION 2 (WxLxH) (mm)	VERSION 3 (WxLxH) (mm)	VERSION 3P (WxLxH) (mm)
315x385x230	315x425x230	315x425x230	335x430x240