

Technical Data Sheet

Compressor model **GLY12RGa**
 Voltage **200-220/220-230V 50/60Hz ~1**
 Refrigerant **R134a**

APPLICATION

Application High Back Pressure
 Refrigerant R134a
 Evaporating Temp. -15,0 °C to 10,0 °C
 Expansion Capillar/Valve
 Comp. Cooling Fan cooled
 Max. ambient temp. 43,0 °C
 Compatible refriger. R1234yf

COMPRESSOR

Displacement 10,70 cm³
 Diameter 25,40 mm
 Stroke 21,12 mm
 Net Weight 10,43 Kg
 Oil type ISO VG 32 ESTER
 Oil charge 345 cm³

MOTOR

Nominal Power 3/8 hp
 Voltage/Frequency 220-230V 60Hz
 Voltage range 187-244 V
 Type CSIR
 Phase number 1 PH
 Locked Rotor Amps (LRA) 16,50 A
 Max. Cont. Current (MCC) 4,20 A
 Main W. resist. at 25°C 6,30 Ω
 Start W. resist. at 25°C 17,00 Ω

NOMINAL PERFORMANCE

	ASHRAE	CECOMAF
Cooling Capacity	1.038 kCal/h	1.007 W
COP	2,22 W/W	1,90 W/W
EER	1,90 kCal/Wh	1,65 kCal/Wh
Input Power	545 W	529 W
Current	3,09 A	3,02 A

APPROVALS



TEST CYCLE CONDITIONS

	ASHRAE HBP (D)	CECOMAF HBP (C)
Evaporating temp. (T _e)	7,2 °C	5,0 °C
Condensing temp. (T _c)	55,0 °C	55,0 °C
Liquid temp. (T _{liq.})	46,0 °C	55,0 °C
Ambient temp. (T _{amb.})	35,0 °C	32,0 °C
Suction temp. (T _{suction})	35,0 °C	32,0 °C
Voltage/Frequency	230 V 60 Hz	230 V 60 Hz



ELECTRICAL COMPONENTS

Starting capacitor	47- 56 µF 330 V			
Relay	Option 1	Option 2		
Reference	2014 138.	QLZ-6.1A		
Pick-Up	6,10 A	6.1 A		
Drop-Out	5,20 A	5.2 A		
Protector	Option 1			
Reference	T0266			
Current	11,00 A			
Time check	7,5-14 seg			
Disc temp. (Open/Close)	105,00 / 52,00 °C			

ASHRAE

Tc °C	Te °C	Cooling Capacity kCal/h	Consumption W	Current A	COP W/W	EER kCal/Wh
40	-15	470	324	2,40	1,69	1,45
40	-10	604	364	2,49	1,93	1,66
40	-5	759	404	2,59	2,19	1,88
40	0	937	442	2,71	2,46	2,12
40	5	1.136	479	2,83	2,76	2,37
40	7,2	1.231	495	2,89	2,89	2,49
40	10	1.358	515	2,97	3,07	2,64

45	-15	441	329	2,41	1,56	1,34
45	-10	567	372	2,51	1,77	1,52
45	-5	714	414	2,62	2,00	1,72
45	0	884	455	2,75	2,26	1,94
45	5	1.075	495	2,89	2,53	2,17
45	7,2	1.167	512	2,95	2,65	2,28
45	10	1.289	533	3,04	2,81	2,42

50	-15	412	335	2,42	1,43	1,23
50	-10	530	380	2,53	1,62	1,39
50	-5	669	425	2,65	1,83	1,58
50	0	831	468	2,79	2,06	1,78
50	5	1.015	510	2,95	2,31	1,99
50	7,2	1.102	528	3,02	2,43	2,09
50	10	1.220	551	3,12	2,57	2,21

55	-15	383	340	2,43	1,31	1,13
55	-10	493	388	2,55	1,48	1,27
55	-5	624	435	2,69	1,67	1,43
55	0	778	481	2,84	1,88	1,62
55	5	954	526	3,01	2,11	1,81
55	7,2	1.038	545	3,09	2,22	1,90
55	10	1.151	569	3,20	2,35	2,02

60	-15	354	345	2,44	1,19	1,03
60	-10	456	396	2,57	1,34	1,15
60	-5	579	446	2,72	1,51	1,30
60	0	725	494	2,89	1,71	1,47
60	5	893	541	3,07	1,92	1,65
60	7,2	974	562	3,16	2,02	1,73
60	10	1.083	587	3,28	2,14	1,84

65	-15	325	351	2,45	1,08	0,93
65	-10	419	404	2,59	1,21	1,04
65	-5	534	456	2,75	1,36	1,17
65	0	672	507	2,94	1,54	1,33
65	5	832	557	3,14	1,74	1,49
65	7,2	909	578	3,24	1,83	1,57
65	10	1.014	605	3,36	1,95	1,67

CECOMAF

Tc °C	Te °C	Cooling Capacity W	Consumption W	Current A	COP W/W	EER kCal/Wh
40	-15	506	326	2,40	1,55	1,34
40	-10	651	367	2,49	1,78	1,53
40	-5	819	406	2,60	2,02	1,74
40	0	1.009	445	2,72	2,27	1,96
40	5	1.223	482	2,84	2,54	2,19
40	7,2	1.325	498	2,90	2,66	2,30
40	10	1.460	518	2,98	2,82	2,43

45	-15	473	331	2,41	1,43	1,23
45	-10	608	374	2,51	1,62	1,40
45	-5	766	417	2,63	1,84	1,59
45	0	947	458	2,76	2,07	1,79
45	5	1.151	498	2,90	2,31	2,00
45	7,2	1.249	515	2,97	2,42	2,09
45	10	1.379	537	3,05	2,57	2,22

50	-15	439	337	2,42	1,30	1,13
50	-10	564	382	2,53	1,48	1,28
50	-5	713	427	2,66	1,67	1,44
50	0	885	471	2,80	1,88	1,62
50	5	1.079	513	2,96	2,10	1,82
50	7,2	1.172	532	3,03	2,20	1,91
50	10	1.297	555	3,13	2,34	2,02

55	-15	405	342	2,43	1,19	1,02
55	-10	521	390	2,55	1,33	1,15
55	-5	660	438	2,69	1,51	1,30
55	0	822	484	2,85	1,70	1,47
55	5	1.007	529	3,02	1,90	1,65
55	7,2	1.096	549	3,10	2,00	1,73
55	10	1.216	573	3,21	2,12	1,83

60	-15	371	347	2,45	1,07	0,92
60	-10	478	398	2,58	1,20	1,04
60	-5	607	448	2,73	1,35	1,17
60	0	760	497	2,90	1,53	1,32
60	5	936	545	3,09	1,72	1,48
60	7,2	1.020	565	3,18	1,80	1,56
60	10	1.134	591	3,30	1,92	1,66

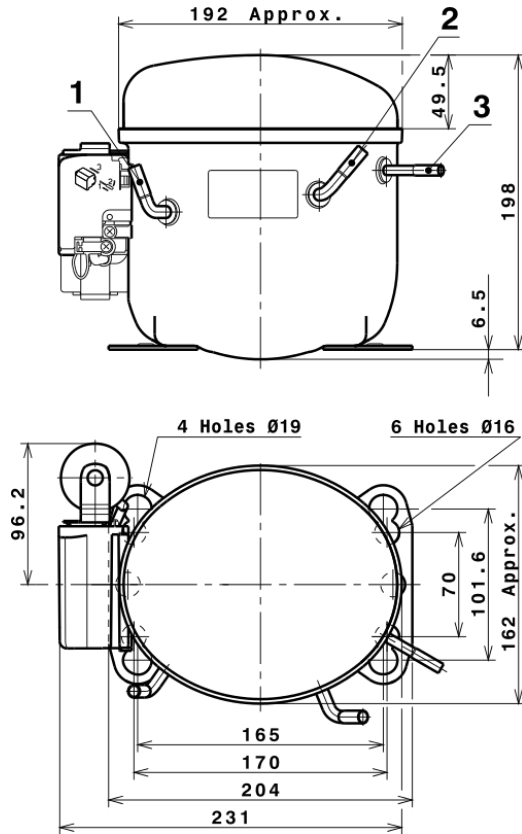
65	-15	338	353	2,46	0,96	0,83
65	-10	435	406	2,60	1,07	0,92
65	-5	554	459	2,76	1,21	1,04
65	0	697	510	2,95	1,37	1,18
65	5	864	560	3,16	1,54	1,33
65	7,2	944	582	3,25	1,62	1,40
65	10	1.053	609	3,38	1,73	1,49

EN12900

X	Cooling Capacity (W)	Consumption (W)	Current (A)	Mass Flow (kg/h)
1	1.512,9714113452	348,7290135786	2,3210924358	25,170844211235
2	56,1548248797	3,6721277005	0,0060059553	1,0009212300448
3	-12,9277502686	2,6863118595	0,0104673416	-0,074288798022426
4	0,4563960962	-0,0185299272	0,0003835929	0,0138316338944
5	-0,4027952394	0,1059176969	0,0005341596	-0,0012049397472755

Equation	$x_1 + x_2Te + x_3Tc + x_4Te^2 + x_5TeTc$
----------	---

COMPRESSOR DIMENSIONS



DESIGNATION INTERNAL DIAM.

DESIGNATION	INTERNAL DIAM.
1 Suction	8,1 mm
2 Service	8,1 mm
3 Discharge	6,5 mm

WIRING DIAGRAMS AND ELECTRICAL ASSEMBLY

CSIR CONNECTION (L, P ranges)



Technical Data Sheet

FIXINGS



SILENT BLOCKS (MOUNTING ACCESSORIES)

STANDARD

Ø16 holes (170x70 net)



AMERICAN FEET

Ø19 holes (165x101.6 net)



SNAP-ON

Ø16 holes (170x70 net)



SOA

SOA R134a HBP

