

Technical Data Sheet

Compressor model **MLY12LAB**
 Voltage **220-240V 50Hz ~1**
 Refrigerant **R404A**

APPLICATION		COMPRESSOR		MOTOR	
Application	Low Back Pressure	Displacement	10,70 cm ³	Nominal Power	3/8 hp
Refrigerant	R404A	Diameter	25,40 mm	Voltage/Frequency	220-240V 50Hz
Evaporating Temp.	-40,0 °C to -10,0 °C	Stroke	21,11 mm	Voltage range	198-255 V
Expansion	Capillar/Valve	Net Weight	11,28 Kg	Type	CSR
Comp. Cooling	Fan cooled	Oil type	ISO VG 32 ESTER	Phase number	1 PH
Max. ambient temp.	43,0 °C	Oil charge	395 cm ³	Locked Rotor Amps (LRA)	18,50 A
				Max. Cont. Current (MCC)	4,00 A
				Main W. resist. at 25°C	5,20 Ω
				Start W. resist. at 25°C	16,85 Ω

NOMINAL PERFORMANCE

	ASHRAE	CECOMAF
Cooling Capacity	490 kCal/h	387 W
COP	1,41 W/W	1,00 W/W
EER	1,21 kCal/Wh	0,86 kCal/Wh
Input Power	404 W	386 W
Current	2,14 A	2,07 A

APPROVALS



TEST CYCLE CONDITIONS

	ASHRAE LBP (B)	CECOMAF LBP (A)
Evaporating temp. (T _e)	-23,3 °C	-25,0 °C
Condensing temp. (T _c)	55,0 °C	55,0 °C
Liquid temp. (T _{liq.})	32,0 °C	55,0 °C
Ambient temp. (T _{amb.})	32,0 °C	32,0 °C
Suction temp. (T _{suction})	32,0 °C	32,0 °C
Voltage/Frequency	220 V 50 Hz	220 V 50 Hz

ELECTRICAL COMPONENTS

Starting capacitor	47- 56 μF 330 V		
Run capacitor	10 μF 420 V		
Relay	Option 1	Option 2	
Reference	2014 149. + NTC15Ω	QLZ 7.8A + NTC15Ω	
Pick-Up	7,80 A	7,80 A	
Drop-Out	6,50 A	6,65 A	
Protector	Option 1		
Reference	T0266		
Current	11,00 A		
Time check	7,5-14 seg		
Disc temp. (Open/Close)	105,00 / 52,00 °C		

ASHRAE

Tc °C	Te °C	Cooling Capacity kCal/h	Consumption W	Current A	COP W/W	EER kCal/Wh
40	-40	223	258	1,62	1,01	0,87
40	-35	297	290	1,73	1,19	1,03
40	-30	391	326	1,85	1,39	1,20
40	-25	503	366	2,00	1,60	1,38
40	-23,3	546	381	2,05	1,67	1,44
40	-20	636	410	2,16	1,80	1,55
40	-15	787	458	2,36	2,00	1,72
40	-10	958	509	2,58	2,19	1,88

45	-40	209	255	1,62	0,95	0,82
45	-35	282	290	1,73	1,13	0,97
45	-30	374	330	1,86	1,32	1,13
45	-25	485	373	2,02	1,51	1,30
45	-23,3	527	388	2,08	1,58	1,36
45	-20	616	420	2,20	1,71	1,47
45	-15	766	470	2,41	1,89	1,63
45	-10	935	525	2,65	2,07	1,78

50	-40	195	253	1,61	0,90	0,77
50	-35	266	291	1,73	1,06	0,92
50	-30	357	333	1,88	1,25	1,07
50	-25	467	380	2,05	1,43	1,23
50	-23,3	509	396	2,11	1,49	1,28
50	-20	596	430	2,24	1,61	1,39
50	-15	745	483	2,47	1,79	1,54
50	-10	913	541	2,73	1,96	1,69

55	-40	181	250	1,60	0,84	0,72
55	-35	251	292	1,73	1,00	0,86
55	-30	340	337	1,89	1,17	1,01
55	-25	449	386	2,07	1,35	1,16
55	-23,3	490	404	2,14	1,41	1,21
55	-20	577	439	2,28	1,53	1,31
55	-15	724	496	2,52	1,70	1,46
55	-10	890	557	2,80	1,86	1,60

60	-40	167	248	1,59	0,78	0,67
60	-35	236	292	1,74	0,94	0,81
60	-30	323	341	1,90	1,10	0,95
60	-25	430	393	2,10	1,27	1,09
60	-23,3	471	412	2,17	1,33	1,14
60	-20	557	449	2,32	1,44	1,24
60	-15	703	509	2,58	1,60	1,38
60	-10	868	573	2,88	1,76	1,51

CECOMAF

Tc °C	Te °C	Cooling Capacity W	Consumption W	Current A	COP W/W	EER kCal/Wh
40	-40	236	258	1,62	0,92	0,79
40	-35	326	290	1,73	1,12	0,97
40	-30	432	326	1,85	1,32	1,14
40	-25	554	366	2,00	1,51	1,31
40	-23,3	599	381	2,05	1,57	1,36
40	-20	692	410	2,16	1,69	1,46
40	-15	847	458	2,36	1,85	1,60
40	-10	1.017	509	2,58	2,00	1,73

45	-40	209	255	1,62	0,82	0,71
45	-35	289	290	1,73	1,00	0,86
45	-30	386	330	1,86	1,17	1,01
45	-25	498	373	2,02	1,34	1,15
45	-23,3	540	388	2,08	1,39	1,20
45	-20	627	420	2,20	1,49	1,29
45	-15	771	470	2,41	1,64	1,42
45	-10	932	525	2,65	1,78	1,53

50	-40	183	253	1,61	0,72	0,63
50	-35	253	291	1,73	0,87	0,75
50	-30	340	333	1,88	1,02	0,88
50	-25	442	380	2,05	1,17	1,01
50	-23,3	481	396	2,11	1,21	1,05
50	-20	561	430	2,24	1,31	1,13
50	-15	696	483	2,47	1,44	1,24
50	-10	847	541	2,73	1,57	1,35

55	-40	156	250	1,60	0,63	0,54
55	-35	217	292	1,73	0,74	0,64
55	-30	294	337	1,89	0,87	0,75
55	-25	387	386	2,07	1,00	0,86
55	-23,3	422	404	2,14	1,04	0,90
55	-20	495	439	2,28	1,13	0,97
55	-15	620	496	2,52	1,25	1,08
55	-10	762	557	2,80	1,37	1,18

60	-40	130	248	1,59	0,53	0,45
60	-35	181	292	1,74	0,62	0,53
60	-30	248	341	1,90	0,73	0,63
60	-25	331	393	2,10	0,84	0,73
60	-23,3	363	412	2,17	0,88	0,76
60	-20	430	449	2,32	0,96	0,83
60	-15	545	509	2,58	1,07	0,92
60	-10	676	573	2,88	1,18	1,02

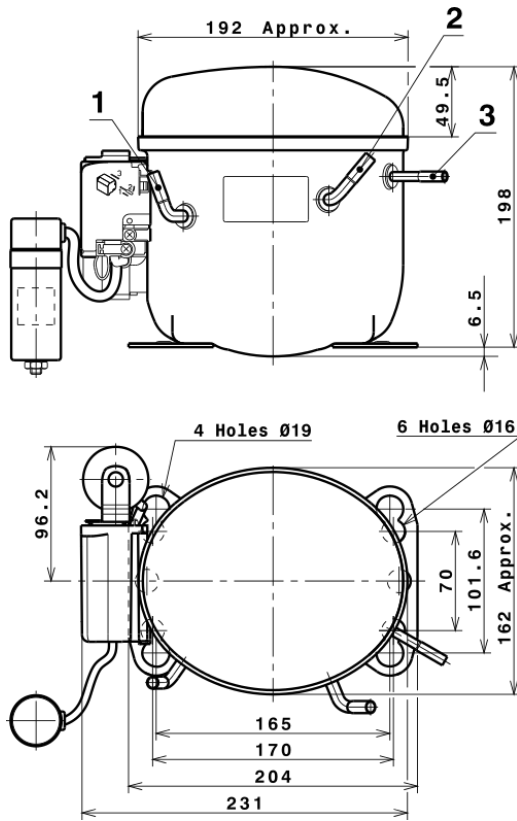
EN12900

X	Cooling Capacity (W)	Consumption (W)	Current (A)	Mass Flow (kg/h)
1	2.224,3393797778	459,4204657848	2,3717096938	45,772907112211
2	56,8392256996	7,6275497585	0,0413165117	1,3936865205216
3	-21,5999091521	4,5515607949	0,0211634650	-0,15372585154534
4	0,3053071851	0,0808285382	0,0006166104	0,012077203751283
5	-0,4078882717	0,1265657828	0,0005692582	-0,0018742458718253

Equation	$x_1 + x_2Te + x_3Tc + x_4Te^2 + x_5TeTc$
----------	---

Technical Data Sheet

COMPRESSOR DIMENSIONS

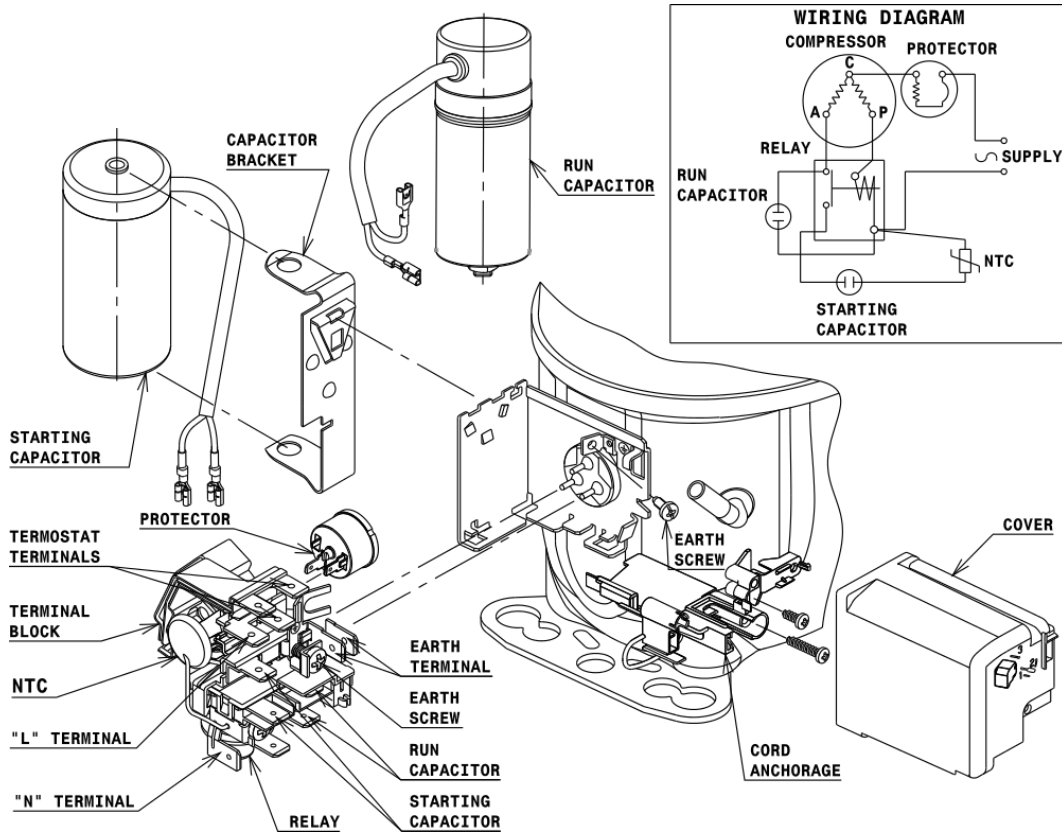


DESIGNATION INTERNAL DIAM.

1	Suction	8,1 mm
2	Service	8,1 mm
3	Discharge	6,5 mm

WIRING DIAGRAMS AND ELECTRICAL ASSEMBLY

CSR CONNECTION (CURRENT RELAY + NTC) (L, P ranges)



Technical Data Sheet

FIXINGS



SILENT BLOCKS (MOUNTING ACCESSORIES)

STANDARD

Ø16 holes (170x70 net)



AMERICAN FEET

Ø19 holes (165x101.6 net)



SNAP-ON

Ø16 holes (170x70 net)



SOA

SOA R404A LBP

