

All drawings, regardless of form, are owned by Hidria Rotomatika d.o.o. and are strictly confidential and present copyright. Intellectual Property Rights as follows rights under the laws of patents, petty patents, design patents and registered designs, copyrights, trade secret rights, and similar exclusive rights in industrial property connected with the drawings are reserved by Hidria Rotomatika d.o.o.. Disclosure to any third party is strictly forbidden.

ZAUPNO / CONFIDENTIAL

Hidria Hidria Rotomatika, d.o.o.
 SI-5281 Spodnja Idrija

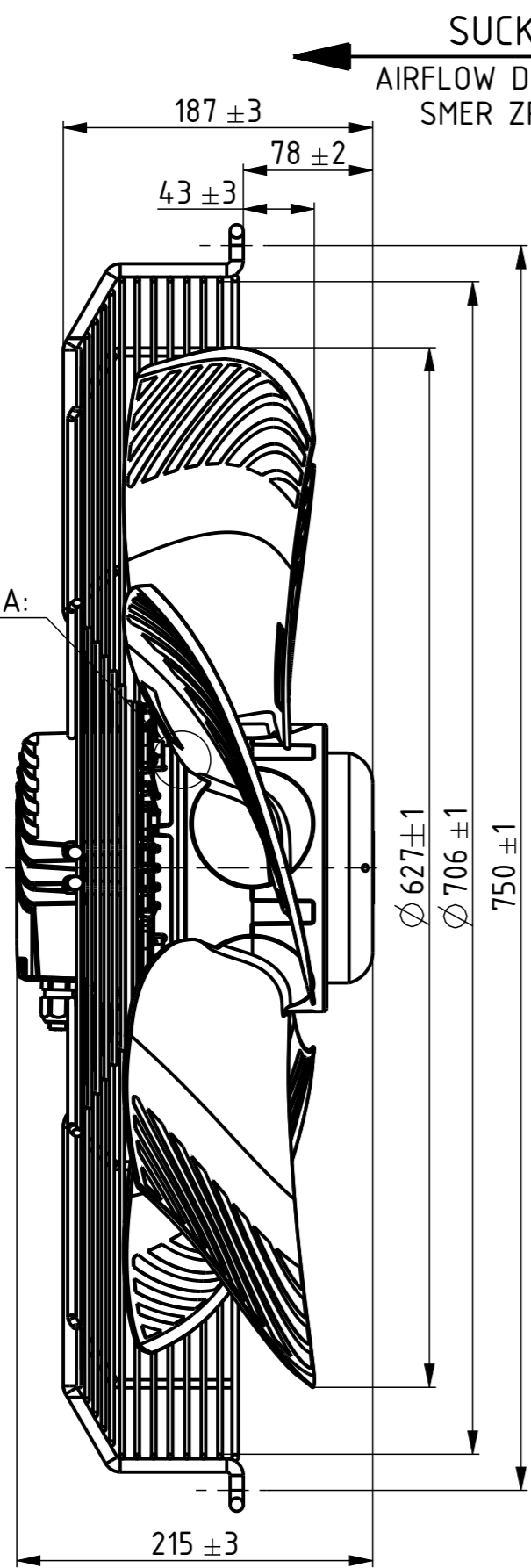
R14R-63APS-ET80B-14B17 0314-4-0051
 3~ 380-480V 50-60Hz 900W 1100RPM
 (1,57A@400V) max.amb.60°C IP54 Ins.Cl.130
 Th.Prot. Class I. m=16,1kg ROT.

ErP: Effes=49,2% (A,static) N=55,7 VSD integrated

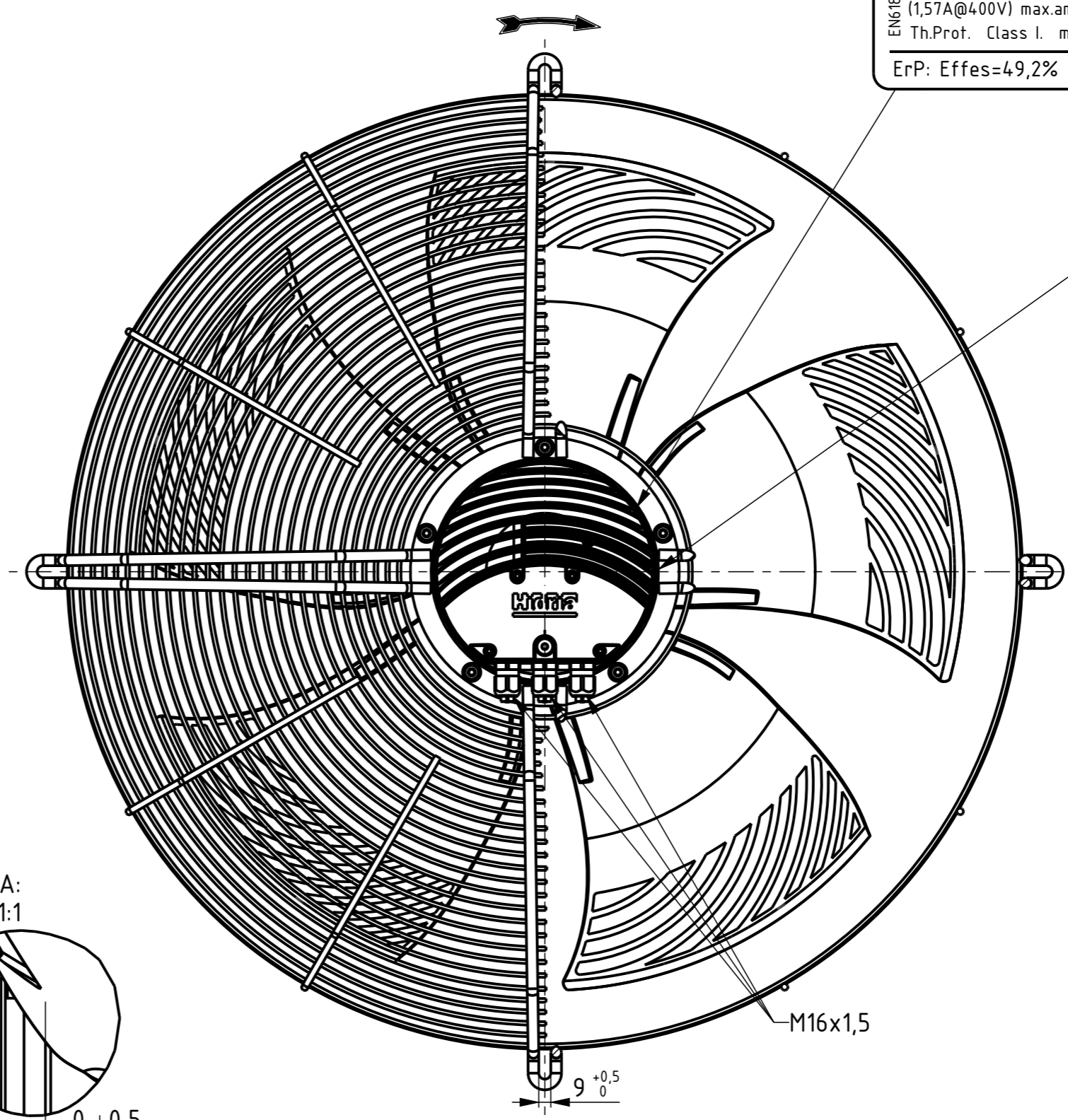
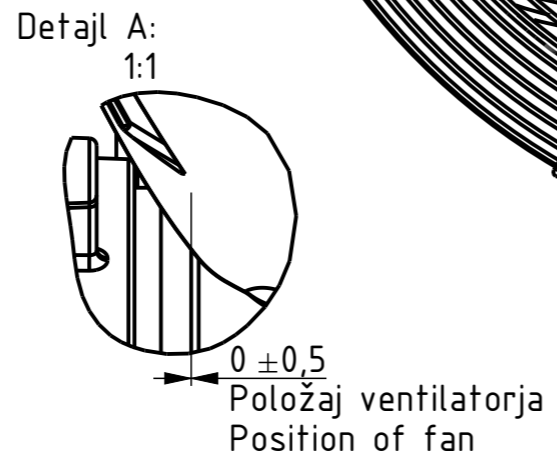
DATE
QR code

WARNING!

Dangerous voltages!
 Capacitor discharge time 5 min!
 Leakage current exceeds 3,5mA
 Read instructions before use



Detajl A:



Priključna shema 0302-0-1006
 Connection diagram 0302-0-1006
 Podatki za nastavljanje in kontrolo motorja z ventilatorjem 0302-4-1010
 Fan setting and control data 0302-4-1010

AA	AA	Prva izdaja. Risba v Windchillu je skladna z risbo v arhivu.	12.07.2016	Uroš K.	
Verzija Artikla: Article revision:	Verzija risbe: DRW Revision:	Opis spremembe: Description of change:	Datum: Date:	Izdelal: Produced:	
KONSTRUIRAL / DRN:	12.07.2016	Uroš Kunc	VENTILATOR R14R-63APS-ET80B-14B17		
ODOBRIL / APP:	13.07.2016	Jure Laharnar			
Potrjeno/Approved 		POVRŠINSKA OBD. SURFACE TEXTURE MATERIAL KODA MATERIALA MATERIAL CODE MASA: MASS:	NAZIV: TITLE:	KODA: CODE:	
NETOL. MERE/UNTOL DIM ISO 2768-m MERILO/FORMAT 1:4/A3		DZJ 	0314-4-0051 0314-4-0051	VERZIJA ARTIKLA: REVISION ARTICLE: AA	VERZIJA RISBE: DRW REVISION: AA 1/1