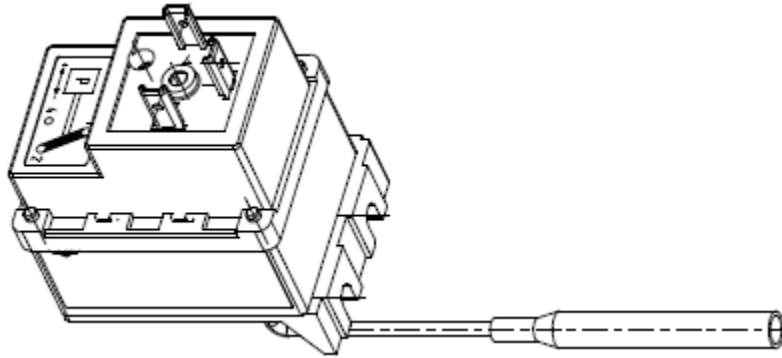


Here is an excerpt of engineering drawing of 0713202



PS3-W5L 13/20

0713202

The capillary on the drawing is short just to make the picture simple. In reality it is 1 m long.

The "L" in description is related to pressure connectin – see the TB on the link:

<https://climate.emerson.com/documents/ps3-pressure-controls-technical-bulletin-8-pages-en-gb-6405822.pdf>

PS 3 - A 5 A	
stat PS3	Pressure Connector A = 7/16"-20 UNF male (Range 1-5), with console G = G 1/4" female brass K= 1 m cap. tube w. flare nut 7/16"-20UNF (Range 1-5), with console L = 1/4"-ODM solder with 1 m cap. tube (Range 1-5), with console