

# FB

for three phase alternating current, 4-4 pole

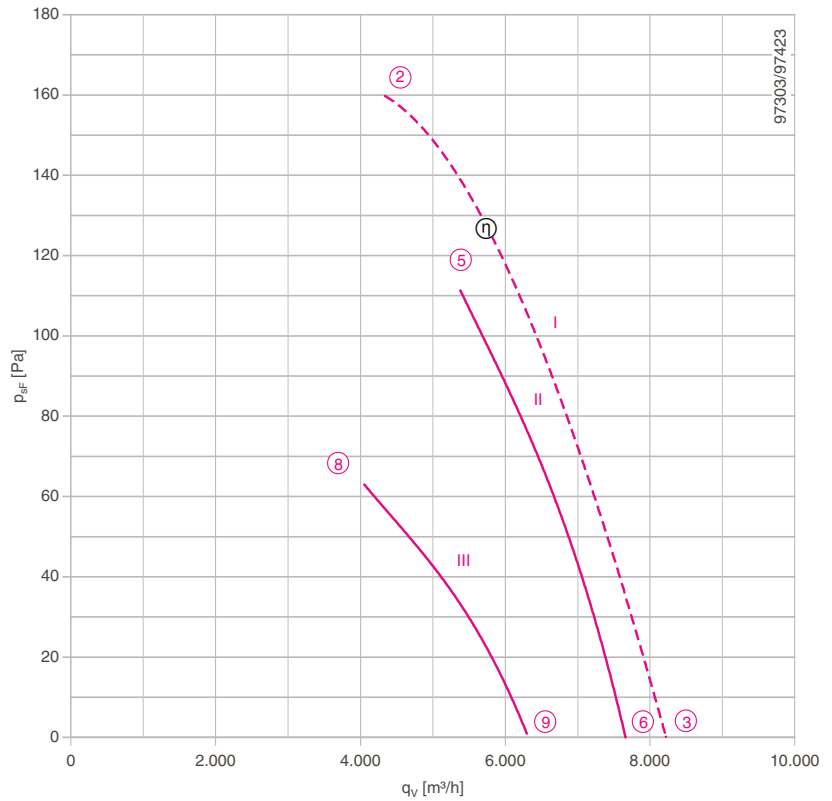
FBO50-VD



## Description

Motor technology: AC  
 Rated voltage  $U_N$ : 3- 400 V ( $\Delta/Y$ )  $\pm 10$  %\*  
 Rated frequency  $f_N$ : 50 Hz\*  
 Motor input power  $P_1$ : 0.65/0.44 kW\*  
 Rated current  $I_N$ : 1.15/0.77 A\*  
 Rated speed  $n_N$ : 1340/ 960 min<sup>-1</sup>\*  
 Starting current  $I_s$ : 5.10 A / 1.70 A  
 Current increase  $\Delta I$ : 15 %  
 Thermal class: **THCL155**\*  
 Min. permitted conveyor temperature  $t_{R(min)}$ : -40 °C  
 Max. permitted conveyor temperature  $t_{R(max)}$ : 70 °C  
 Electrical connection: Terminal box  
 Number of blades: 4  
 Protection class: IP54  
 Motor protection: Thermal contact  
 Blades: Aluminium, uncoated  
 Rotor: Aluminium, uncoated  
 Conformity: ErP 2015, CE  
**ErP Data**  
 Efficiency  $\eta_{statA}$ : 34.6 %  
 Efficiency:  $N_{actual} = 42.4 / N_{target} = 40$ \*\*  
 \* Rated data  
 \*\*ErP 2015

## Characteristic curve

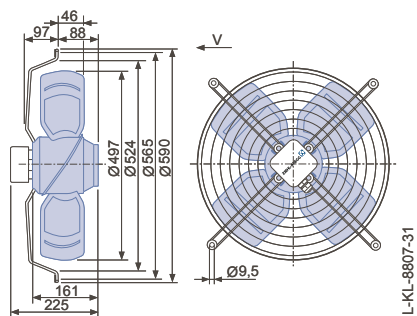


I) Measured in full bell mouth without guard grille in installation type A according to ISO 5801.  
 II-x) Measured in short-bell mouth with compressed side contact protection.

- Connection diagram 1360-108XA Page 608
- System components Page 524

## Dimensions [mm]

← Airflow direction V  
 Design K - axial bolted, mounted for short bell mouth E



Performance data

Type	Connection	Characteristic curve	Voltage	Operating point	Current	Motor input power	Speed	Suction side sound power level	
			U [V]		I [A]	P <sub>1</sub> [W]	n [min <sup>-1</sup> ]	L <sub>WA5</sub> [dB]	
FB050-VD_4I_4P	Δ	I	400*	②	1.15*	660*	1340*	84	
			400	③	0.84	420	1410	77	
			400	⑤	1.05	600	1360	79	
		Y	III	400	⑥	0.90	460	1400	77
				400	⑧	0.74	420	1030	73
				400	⑨	0.64	370	1140	72

\*rated data

Fan ordering information


← Airflow direction V

Design K



**Type** FB050-VDK.4I.V4P  
**Article no.** 210543  
Weight [kg] 11.30

Control technology

<p>Frequency inverter Fcontrol 3~</p>  <p>➤ Page 558</p>	<p>Motor protection units 3~</p>  <p>➤ Page 596</p>	<p>Transformer-based controllers 3~</p>  <p>➤ Page 591</p>	<p>Electronic voltage controllers 3~</p>  <p>➤ Page 578</p>
--	---	--	---