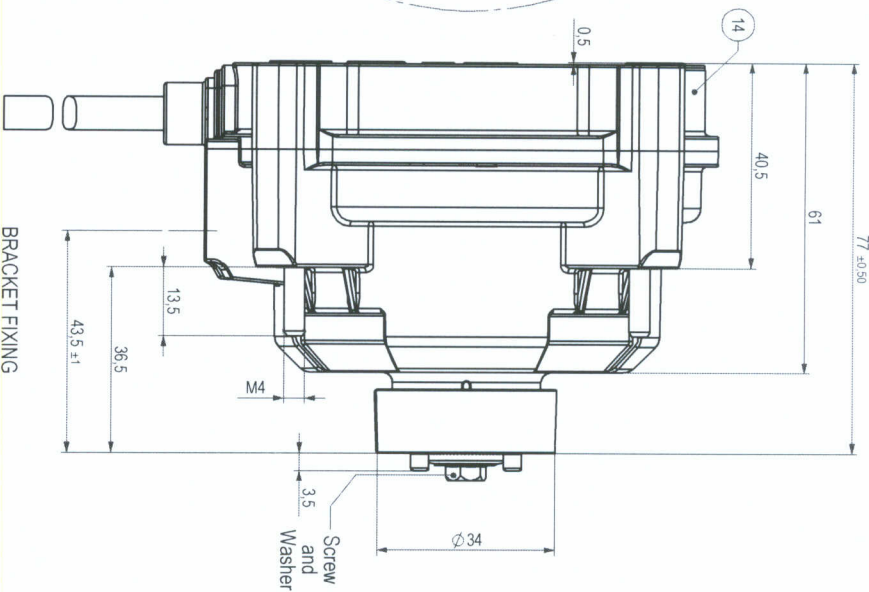
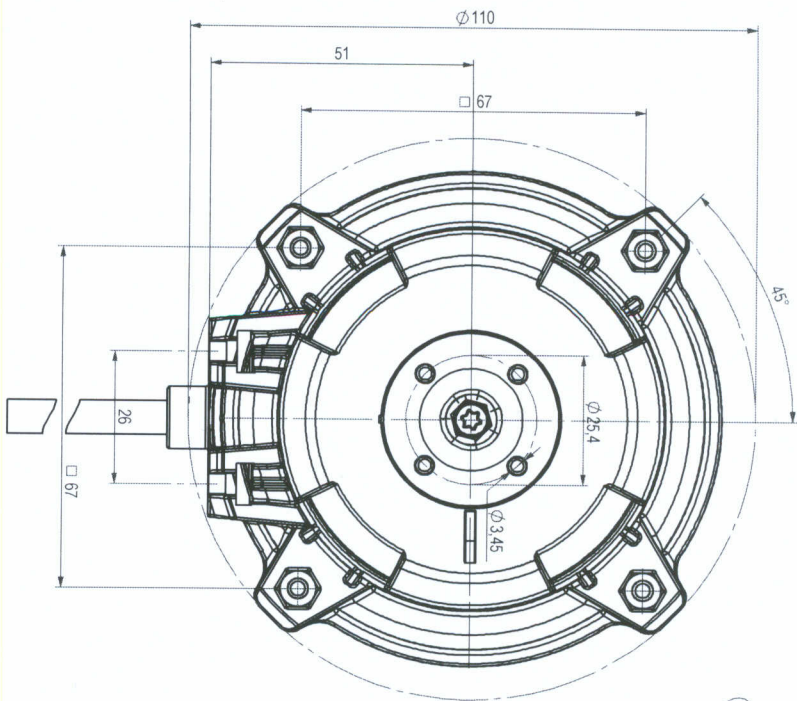
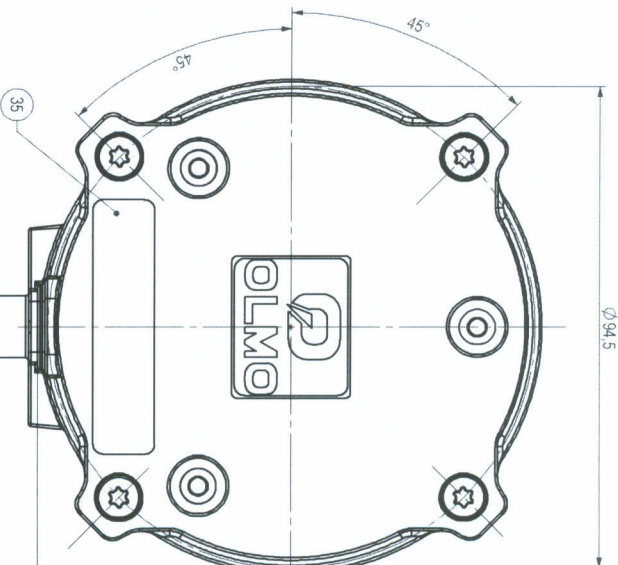


CCW ROTATION
ROTAZIONE ANTORARIA



BRACKET FIXING
AVAILABLE ON REQUEST
(Su richiesta montaggio staffa)

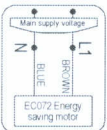


BRUSHLESS MOTOR TYPE	EC072	ENVIRONMENT TEMPERATURE	-30°C ÷ +50°C
ROTATION	CCW	SYSTEM PROTECTION	IP65
PROTECTION CLASS	B	APPROVALS	CE, ATEX
INSULATION CLASS	H	ELECTRONICALLY PROTECTED	
BALL BEARINGS MANUFACTURED		LOCKED ROTOR SYSTEM	

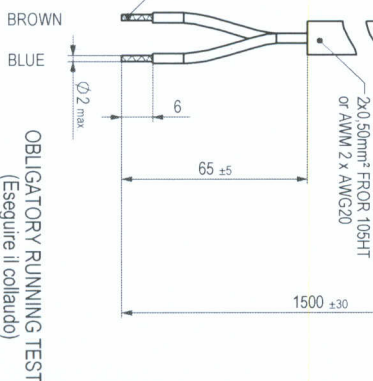
I 1 36 Ex ec IIA T5 Gc
 Warning: Protection from direct light (natural and artificial) by cleaning with a wet cloth for EHS.

Made in
OLMO
 EC072 12 FS
 220-240V -50/60Hz
 Max 20A 150VA
 IP65 CC 0.1500rpm
 100% DUTY CLASS
 EREB2012AC0093

DATA



No. 2 POINT TERMINALS
n°2 Terminal a Puntale



OBLIGATORY RUNNING TEST
(Eseguire il collaudo)

For dimension without tolerance
see standard UNI EN 22768-mk

Treatment
Material

EC072 MOTOR H.12 A

A3

Drawn: Giorgio B.
Date: 22/09/2020

230V 50/60Hz 1300 Rpm

Weight: gr

Release: A

Check:

ATEX

ERB2012AC0093

Rel.	Date	Description	System	Checked
A	23/01/2021	MODIFIED DATA LABEL	Giorgio B.	Berlino G.

MODIFICATIONS	
1	2

DRAWING MADE BY CAD HAND MADE MODIFICATIONS ARE FORBIDDEN

THIS DRAWING IS OUR PROPERTY. ANY PARTIAL OR COMPLETE COPY IS FORBIDDEN WITHOUT PREVIOUS WRITTEN AUTHORISATION