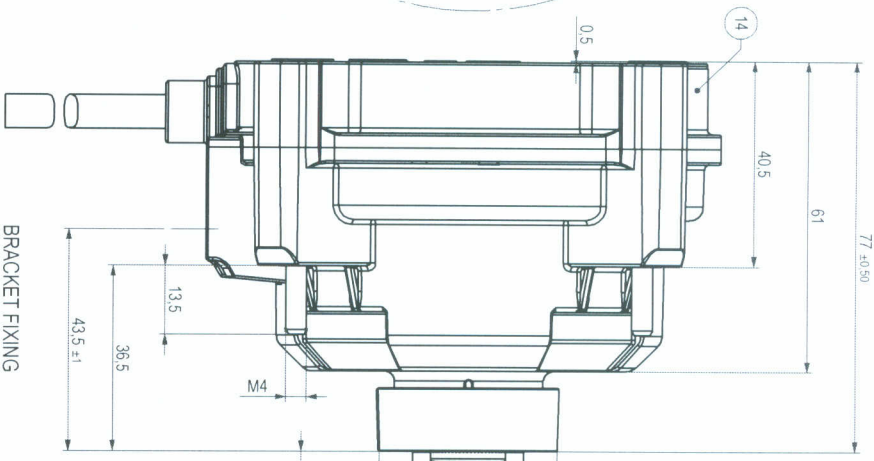
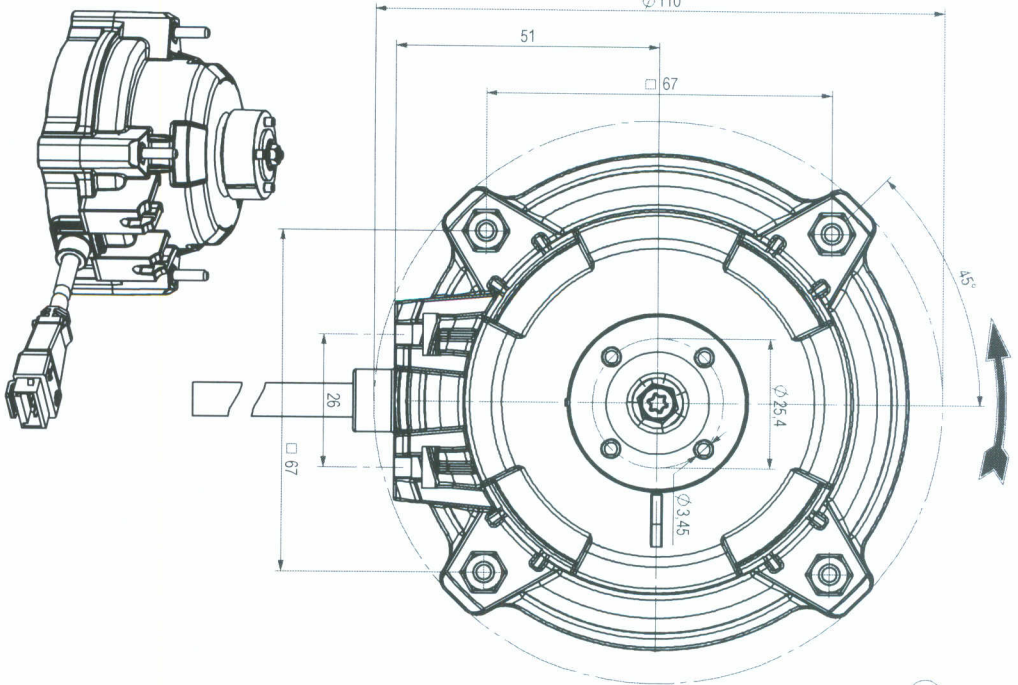
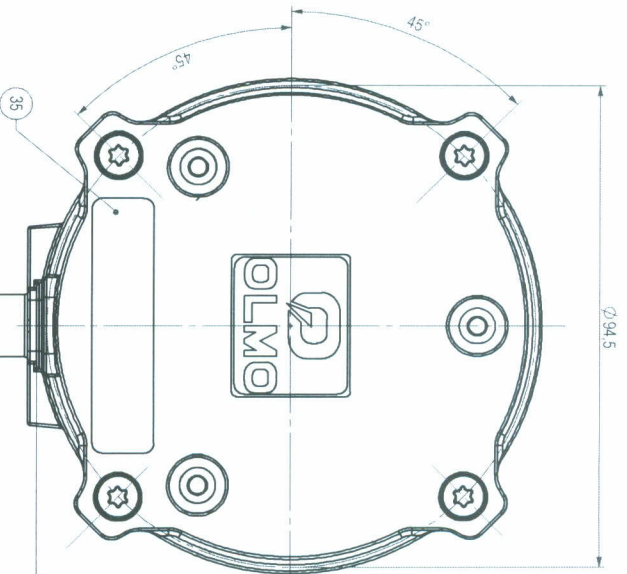
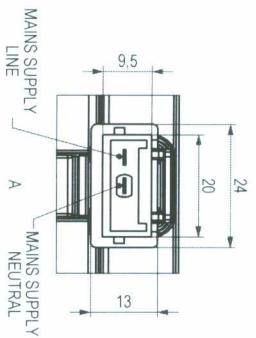


CCW ROTATION
ROTAZIONE ANTIORARIA



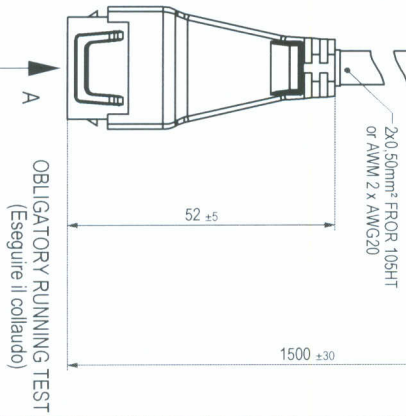
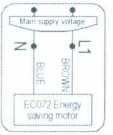
BRACKET FIXING
AVAILABLE ON REQUEST
(Su richiesta montaggio staffa)



BRUSHLESS MOTOR TYPE	EC072	ENVIRONMENT TEMPERATURE	-30°C ÷ +50°C
ROTATION	CCW	SYSTEM PROTECTION	IP65
PROTECTION CLASS	B	APPROVALS	CE, ATEX
INSULATION CLASS	H	ELECTRONICALLY PROTECTED	
BALL BEARINGS MANUFACTURED		LOCKED ROTOR SYSTEM	

II 3G Ex ec IIA T5 Gc
Warning: Protection from direct light (natural and artificial) is essential with a wet load for EHS

OLMO
Type: EC072 12 FS
Power: 220-240V -50/60Hz
Max. CW: 1300rpm
Max. CW: 1300rpm
IP65
IEC 60034-1
IEC 60034-2-1
IEC 60034-2-2
IEC 60034-2-3
IEC 60034-2-4
IEC 60034-2-5
IEC 60034-2-6
IEC 60034-2-7
IEC 60034-2-8
IEC 60034-2-9
IEC 60034-2-10
IEC 60034-2-11
IEC 60034-2-12
IEC 60034-2-13
IEC 60034-2-14
IEC 60034-2-15
IEC 60034-2-16
IEC 60034-2-17
IEC 60034-2-18
IEC 60034-2-19
IEC 60034-2-20
IEC 60034-2-21
IEC 60034-2-22
IEC 60034-2-23
IEC 60034-2-24
IEC 60034-2-25
IEC 60034-2-26
IEC 60034-2-27
IEC 60034-2-28
IEC 60034-2-29
IEC 60034-2-30
IEC 60034-2-31
IEC 60034-2-32
IEC 60034-2-33
IEC 60034-2-34
IEC 60034-2-35
IEC 60034-2-36
IEC 60034-2-37
IEC 60034-2-38
IEC 60034-2-39
IEC 60034-2-40
IEC 60034-2-41
IEC 60034-2-42
IEC 60034-2-43
IEC 60034-2-44
IEC 60034-2-45
IEC 60034-2-46
IEC 60034-2-47
IEC 60034-2-48
IEC 60034-2-49
IEC 60034-2-50
IEC 60034-2-51
IEC 60034-2-52
IEC 60034-2-53
IEC 60034-2-54
IEC 60034-2-55
IEC 60034-2-56
IEC 60034-2-57
IEC 60034-2-58
IEC 60034-2-59
IEC 60034-2-60
IEC 60034-2-61
IEC 60034-2-62
IEC 60034-2-63
IEC 60034-2-64
IEC 60034-2-65
IEC 60034-2-66
IEC 60034-2-67
IEC 60034-2-68
IEC 60034-2-69
IEC 60034-2-70
IEC 60034-2-71
IEC 60034-2-72
IEC 60034-2-73
IEC 60034-2-74
IEC 60034-2-75
IEC 60034-2-76
IEC 60034-2-77
IEC 60034-2-78
IEC 60034-2-79
IEC 60034-2-80
IEC 60034-2-81
IEC 60034-2-82
IEC 60034-2-83
IEC 60034-2-84
IEC 60034-2-85
IEC 60034-2-86
IEC 60034-2-87
IEC 60034-2-88
IEC 60034-2-89
IEC 60034-2-90
IEC 60034-2-91
IEC 60034-2-92
IEC 60034-2-93
IEC 60034-2-94
IEC 60034-2-95
IEC 60034-2-96
IEC 60034-2-97
IEC 60034-2-98
IEC 60034-2-99
IEC 60034-2-100



OBLIGATORY RUNNING TEST
(Eseguire il collaudo)

Rel	Date	Description	Signature	Checked

MODIFICATIONS		Description	
1	2		

DRAWING MADE BY CAD HAND MADE MODIFICATIONS ARE FORBIDDEN

THIS DRAWING IS OUR PROPERTY ANY PARTIAL OR COMPLETE COPY IS FORBIDDEN WITHOUT PREVIOUS WRITTEN AUTHORISATION

Treatment	A3
Material	

EC072 MOTOR H.12 A
230V 50/60Hz 1300 Rpm

Weight gr	
Ref. No	
Release	

ERB2012AC0183