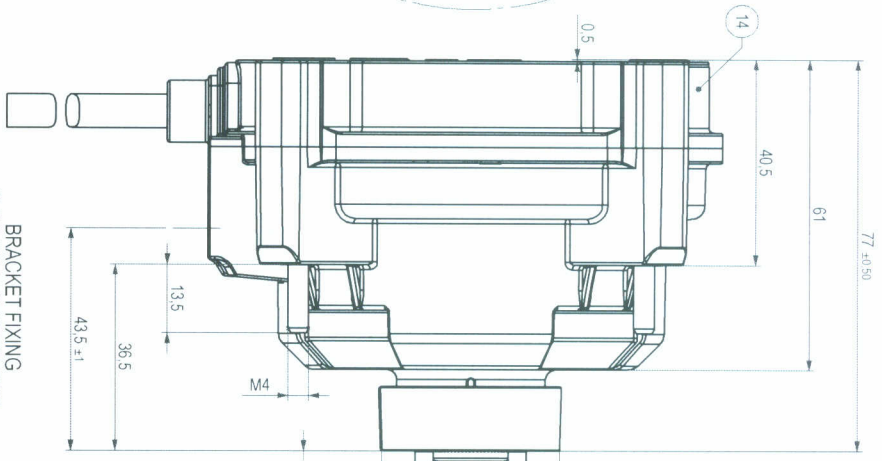
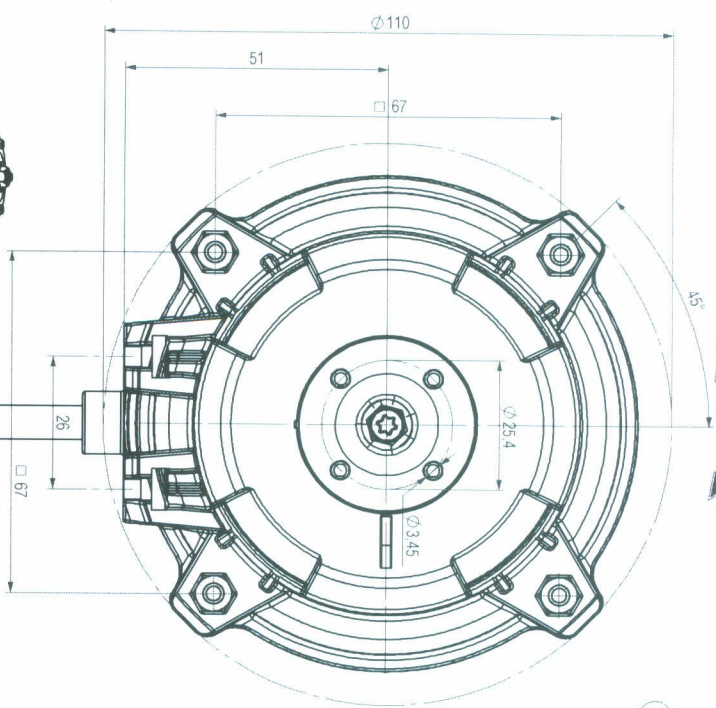
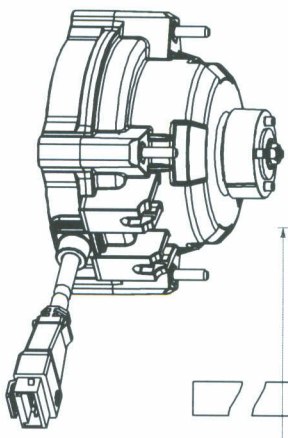
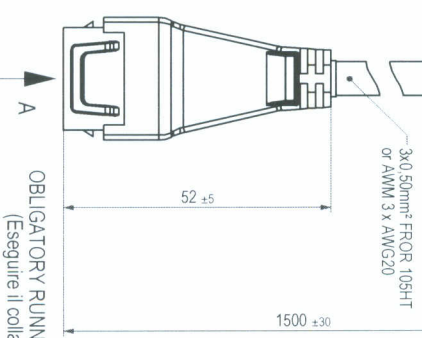
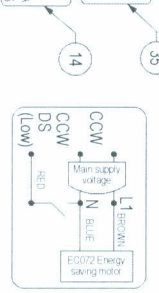
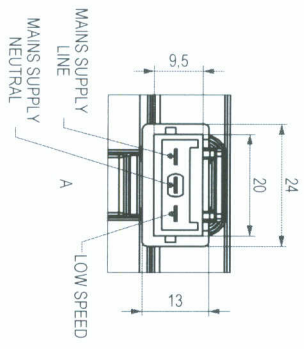
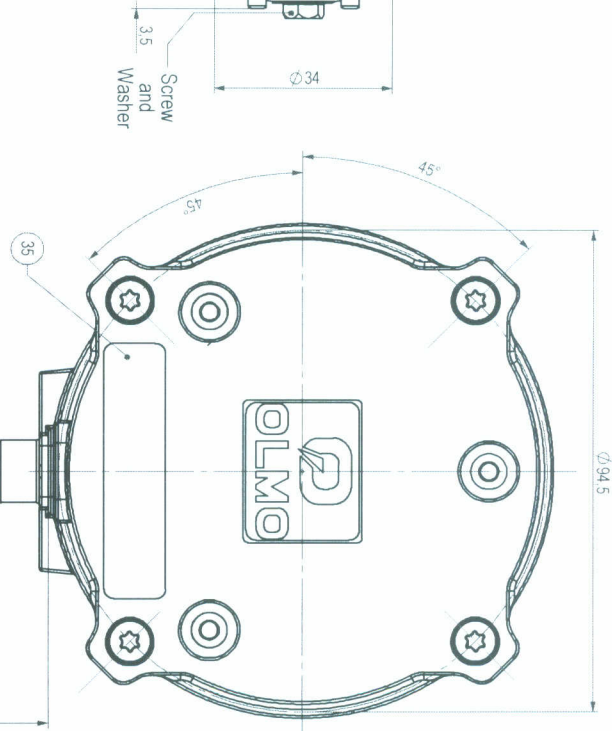


CCW ROTATION
ROTAZIONE ANTIORARIA



BRACKET FIXING
AVAILABLE ON REQUEST
(Su richiesta montaggio staffa)



OBLIGATORY RUNNING TEST
(Eseguire il collaudo)

BRUSHLESS MOTOR TYPE	EC072	ENVIRONMENT TEMPERATURE	-30°C ÷ +50°C
ROTATION	CCW	SYSTEM PROTECTION	IP65
PROTECTION CLASS	B	APPROVALS	CE, ATEX
INSULATION CLASS	H	ELECTRONICALLY PROTECTED	
BALL BEARINGS MANUFACTURED		LOCKED ROTOR SYSTEM	

I 36 EX BC IIA T5 0c
 Motor Protection from electric, thermal and
 artificial lightning with a wet field for EHS
 EC072 T2 DS
 220-240V -50/60Hz
 Max. 20W 150mA
 IP65, CL3, IEC60335-1
 14, 21, 25, 28, 35, ERB2012AC0186

For dimension without tolerance
see standard UNI EN 22768-nk

Rel	Date	Description	Checked
MODIFICATIONS			
1			
2			
DRAWING MADE BY CAD - HAND MADE MODIFICATIONS ARE FORBIDDEN			
		Drawn: Giorgio B. Date: 12/05/2021 Check:	Scale:
EC072 MOTOR H.12 A 230V 50/60Hz 1300 / 1000 Rpm ATEX		Treatment:	Material:
Weight: gr Ref. No.		Release:	A3
ERB2012AC0186			