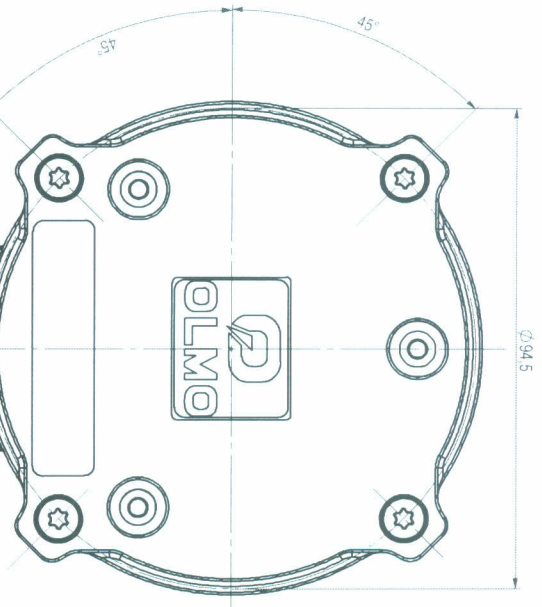
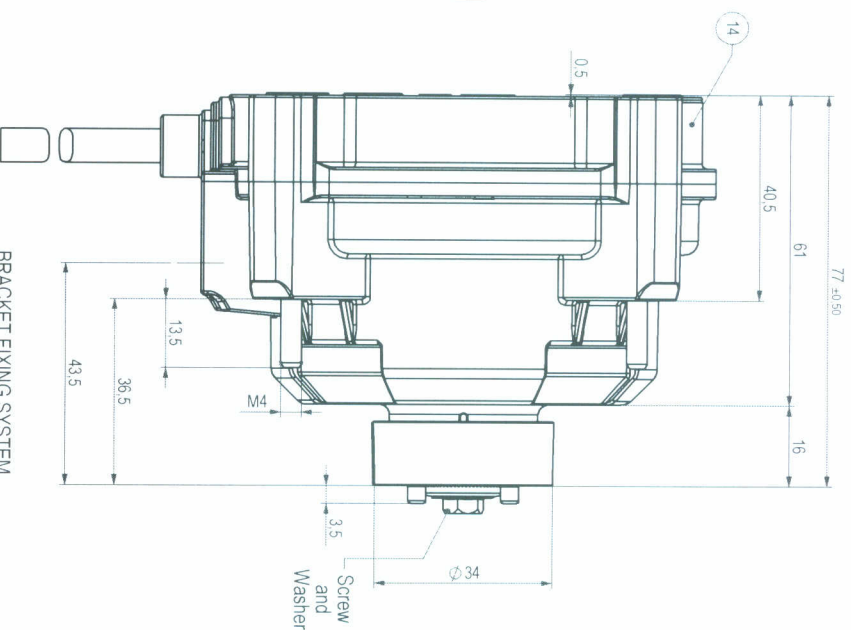
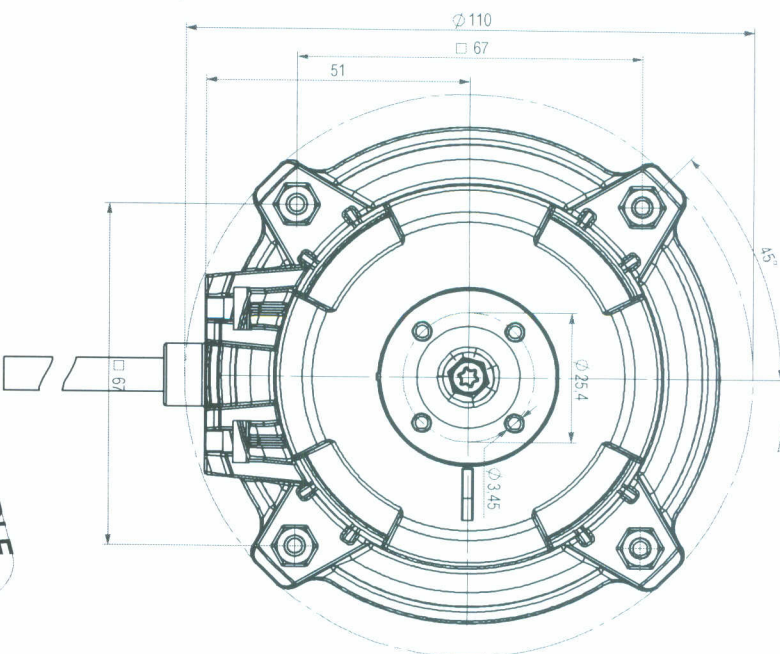


CCW ROTATION  
ROTAZIONE ANTIORARIA



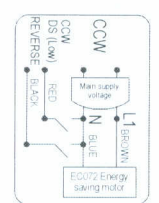
**2 SPEEDS AND REVERSIBLE MOTOR**

**BRACKET FIXING SYSTEM  
AVAILABLE ON REQUEST  
(Su richiesta sistema per fissaggio staffa)**

|                            |       |                          |               |
|----------------------------|-------|--------------------------|---------------|
| BRUSHLESS MOTOR TYPE       | EC072 | ENVIRONMENT TEMPERATURE  | -30°C + +50°C |
| ROTATION                   | CCW   | SYSTEM PROTECTION        | IP55          |
| PROTECTION CLASS           | B     | APPROVALS                | CE, ATEX      |
| INSULATION CLASS           | H     | ELECTRONICALLY PROTECTED |               |
| BALL BEARINGS MANUFACTURED |       | LOCKED ROTOR SYSTEM      |               |

**II 38 Ex ec IIA T5 Gc**  
Warning: Protection from direct light (natural and artificial) - Treatment with a second order ENEC

Marking: **OLMO** Max 230V - 50/60Hz  
IP55 CL B 100V/1000rpm  
EN 60034-2-11  
CE



BLACK  
BROWN  
BLUE  
RED

**OBLIGATORY RUNNING TEST  
(Eseguire il collaudo)**

For dimension without tolerance see standard UNI EN Z2768-mk

|  |      |  |            |
|--|------|--|------------|
| Rel  | Date | Description                                    | Checked    |
| <b>MODIFICATIONS</b>   |      |  |            |
| 1  |      |  |            |
| 2  |      |  |            |
| <b>DRAWING MADE BY CAD - HAND MADE MODIFICATIONS ARE FORBIDDEN</b>               |      |  |            |
|  |      | Drawn: Giorgio B<br>Date: 12/05/2021<br>Check: | Scale:     |
| MOTOR EC072 H.12 A<br>230V 50/60Hz 1300 / 1000 Rpm<br>ATEX 1000 Rpm - REVERSIBLE |      | Treatment:                                     | Material:  |
| Weight: gr<br>Ref. No:   |      | A3   | Release: - |
| <b>ERB2012AC0189</b>   |      |  |            |