

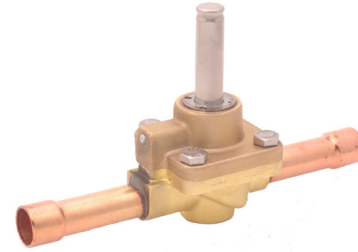
The 240RA is a 2-way, normally closed diaphragm valve. 240RA valves are used for liquid, suction, and hot gas service.

Features

- One coil fits all valve sizes
- Can be brazed into the line without disassembly
- PTFE diaphragm for high temperature applications
- Extended ends for easy installation (standard)
- Long-life molded coils
- Mounting stud models can be field converted to manual stem

Options

- Manual stem or mounting stud



Specifications

- Maximum fluid temperature: 250°F
- Maximum working pressure: 500 psig
- MOPD: 300 psig
- UL/CUL file number: MP604

NOTE: Mounting enclosing tube more than 90° off vertical up position is not recommended.

Nomenclature example: 240RA 8T5M VLC

| 240R | A** | 8 | T | 5 | M | VLC |
|--------------|---------------|----------------------|---|---------------------------|---|-------|
| Valve Series | Design Series | Port Size (in 1/16") | Connection Type T = copper extended ends | Connection Size (in 1/8") | M = manual stem T = mounting stud (optional) | Coil* |

* NOTE: Valves are shipped without the solenoid coils (VLC = Valve Less Coil). See coil assemblies for availability.

**NOTE: Letter "H" is no longer used since all 240RA valves now contain the high temperature diaphragm for hot gas.

Ordering Information and Nominal* Liquid Capacity Table - Tons (kW)

| PCN | | | Description | Connection Size | R-134A | R-450A/ R-513A | R-22 | R-407C | R-404A/ R-507 | R-448A/ R-449A |
|----------------|----------------------------|--------------------------|---------------|-----------------|--------------|-------------------|---------------|--------------|------------------|-------------------|
| Standard Valve | Mounting Stud ¹ | Manual Stem ² | | | | | | | | |
| 060374 | 040846 | 040845 | 240RA 8 T 5 | 5/8 ODF | 12.1 (42.6) | 10.8 (37.8) | 15.6 (54.9) | 14.8 (52.1) | 10.3 (36.2) | 15.7 (55.1) |
| 060375 | 044860 | 045753 | 240RA 8 T 7 | 7/8 ODF | | | | | | |
| 060376 | 040848 | 040847 | 240RA 9 T 5 | 5/8 ODF | 18.0 (63.3) | 16.1 (56.5) | 23.3 (81.9) | 22.1 (77.2) | 15.3 (53.8) | 23.4 (82.3) |
| 060377 | 043205 | 043204 | 240RA 9 T 7 | 7/8 ODF | 23.6 (83.0) | 21.0 (74.0) | 30.5 (107.27) | 29.0 (102.0) | 20.1 (70.7) | 30.6 (107.7) |
| 060378 | 044861 | 045752 | 240RA 9 T 9 | 1 1/8 ODF | | | | | | |
| 060379 | 040850 | 040849 | 240RA 12 T 7 | 7/8 ODF | 27.1 (95.3) | 24.1 (84.6) | 34.9 (122.7) | 33.2 (116.8) | 23.0 (80.9) | 35.0 (123.2) |
| 060380 | 043959 | 045549 | 240RA 12 T 9 | 1 1/8 ODF | | | | | | |
| 060381 | 042549 | 042548 | 240RA 16 T 9 | 1 1/8 ODF | 45.0 (158.3) | 40.0 (140.6) | 58.0 (203.9) | 55.2 (194.1) | 38.3 (134.7) | 58.2 (204.8) |
| 060382 | 044428 | 044788 | 240RA 16 T 11 | 1 3/8 ODF | | | | | | |
| 060383 | 047761 | 046636 | 240RA 20 T 11 | 1 3/8 ODF | 70.9 (249.4) | 65.8 (231.3) | 95.4 (335.5) | 90.8 (319.3) | 65.7 (231.1) | 95.8 (336.8) |
| 060384 | 047747 | 046637 | 240RA 20 T 13 | 1 5/8 ODF | | | | | | |
| 060385 | 054297 | 046638 | 240RA 20 T 17 | 2 1/8 ODF | | | | | | |

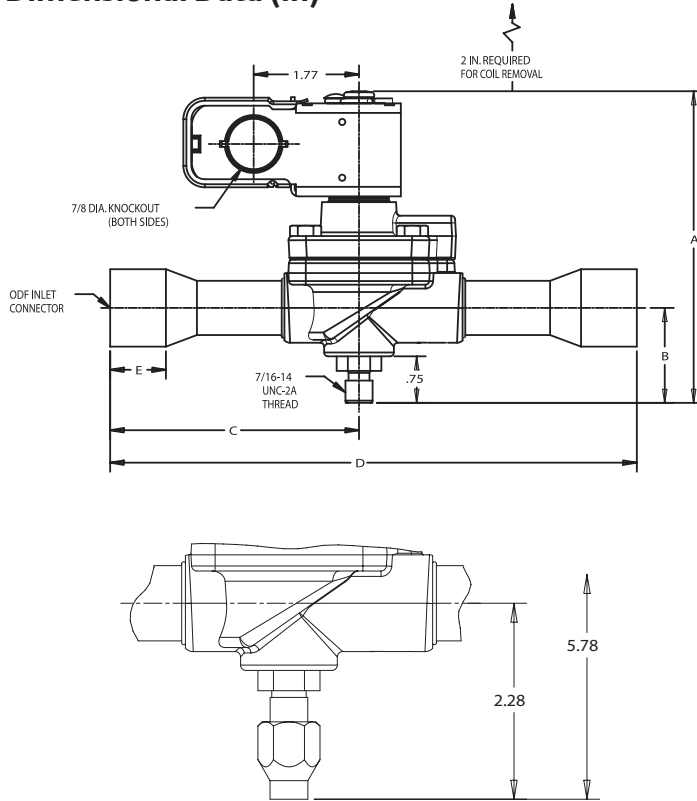
¹ Add "T" to the end of description for Mounting Stud

² Add "M" to the end of the description for Manual Stem

Capacities based on 100°F liquid and 40°F saturated evaporator per ARI standard 760-87.

*See Extended Capacity Tables for ratings at a wide range of conditions.

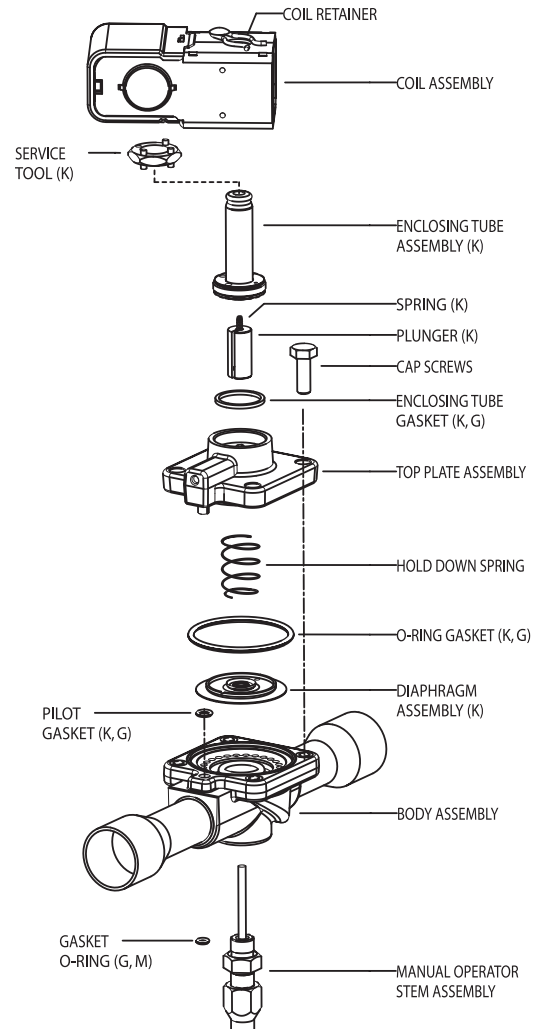
Dimensional Data (in)



WITH MANUAL STEM - "M" VERSION

| Valve | Port Size | Conn. Size | A | B | C | D | E |
|-------------|-----------|------------|------|------|------|-------|------|
| 240RA8T5T | 1/2 | 5/8 ODF | 4.80 | 1.34 | 3.28 | 6.88 | 0.50 |
| 240RA8T5M | | | 5.28 | 1.83 | | | |
| 240RA8T7T | 1/2 | 7/8 ODF | 4.80 | 1.34 | 3.41 | 7.13 | 0.75 |
| 240RA8T7M | | | 5.28 | 1.83 | | | |
| 240RA9T5T | 9/16 | 5/8 ODF | 5.08 | 1.50 | 3.20 | 6.88 | 0.50 |
| 240RA9T5M | | | 5.56 | 2.08 | | | |
| 240RA9T7T | 9/16 | 7/8 ODF | 5.08 | 1.50 | 3.33 | 7.13 | 0.75 |
| 240RA9T7M | | | 5.56 | 2.08 | | | |
| 240RA9T9T | 9/16 | 1-1/8 ODF | 5.08 | 1.50 | 4.02 | 8.50 | 0.91 |
| 240RA9T9M | | | 5.56 | 2.08 | | | |
| 240RA12T7T | 3/4 | 7/8 ODF | 5.08 | 1.50 | 3.52 | 7.50 | 0.75 |
| 240RA12T7M | | | 5.56 | 2.08 | | | |
| 240RA12T9T | 3/4 | 1-1/8 ODF | 5.08 | 1.50 | 4.02 | 8.50 | 0.91 |
| 240RA12T9M | | | 5.56 | 2.08 | | | |
| 240RA16T9T | 1 | 1-1/8 ODF | 5.34 | 1.66 | 4.13 | 9.06 | 0.97 |
| 240RA16T9M | | | 5.80 | 2.23 | | | |
| 240RA16T11T | 1 | 1-3/8 ODF | 5.34 | 1.66 | 5.13 | 11.06 | 0.97 |
| 240RA16T11M | | | 5.80 | 2.23 | | | |
| 240RA20T11T | 1-1/4 | 1-3/8 ODF | 5.45 | 1.31 | 5.11 | 10.81 | 1.09 |
| 240RA20T11M | | | 6.47 | 2.33 | | | |
| 240RA20T13T | 1-1/4 | 1-5/8 ODF | 5.45 | 1.31 | 5.89 | 12.38 | 1.09 |
| 240RA20T13M | | | 6.47 | 2.33 | | | |
| 240RA20T17T | 1-1/4 | 2-1/8 ODF | 5.45 | 1.31 | 6.58 | 13.75 | 1.34 |
| 240RA20T17M | | | 6.47 | 2.33 | | | |

Exploded View & Parts Kit Data



Valve Kits

| Valve | Complete Kit | PCN | Manual Opener Kit | PCN |
|---------|--------------|--------|-------------------|--------|
| 240RA8 | KS30321 | 060626 | KS30066 | 044657 |
| 240RA9 | KS30322 | 060627 | KS30067 | 044658 |
| 240RA12 | KS30323 | 060628 | KS30067 | 044658 |
| 240RA16 | KS30324 | 060629 | KS30068 | 044491 |
| 240RA20 | KS30325 | 060630 | KS30098 | 047723 |

Gasket Kit for all 240RA valves is KG10028 (PCN 054356)

Valve Repair Kit

"K" indicates part is supplied in complete valve repair kit.

Manual Stem Kit

"M" indicates part is supplied in manual stem kit.

Gasket Kit

"G" indicates gasket is supplied in gasket kit.
Note: Spanner wrench (X11981-1 service tool) included in complete valve kit.

Coil Assembly

See coil assemblies for availability.