

CLASS "B" MOTOR - SLEEVE BEARINGS MANUFACTURED (Motore in classe "B" - Esecuzione a Bronzine)	
AXIAL CLEARANCE ( Gioco assiale )	0,5 - 2,5 mm
COVER - LEADS SIDE ( Coperchio lato Cavi )	CLOSED ( Chiuso )
COVER - OPPOSITE LEADS SIDE ( Cop. lato opposto cavi )	CLOSED ( Chiuso )
ASSEMBLING SPECIFICATION No. ( Normativa per note di montaggio )	EL.UN.0002
MECHANICAL SPECIFICATION No. ( Normativa per note di controllo meccanico )	EL.CM.0001
ELECTRICAL SPECIFICATION No. ( Controllo elettrico con prescrizione )	M.2025/6

14

M M  
L 1 2 3 4 5 6  
LINE Hi Low

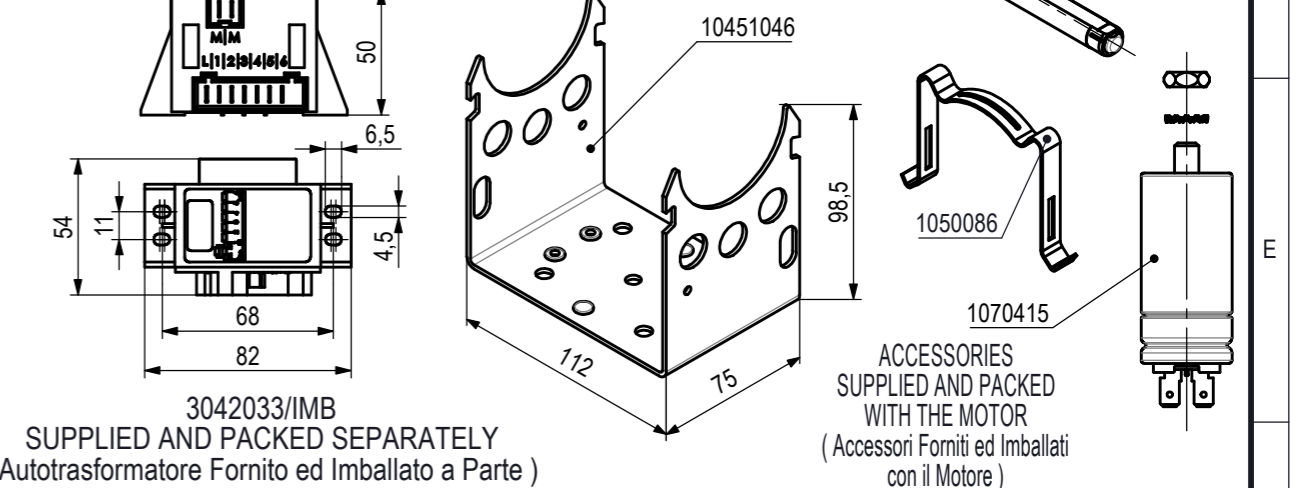
1350420

15

Print Factory ID

MOD. 1BT 45-40-1V NA  
230V ~ 50/60Hz 0,65A DATE (...)  
45/145W 1100Rpm TH.PROT. Ins. CL.B  
C=3,15µF 450VL BTNB41TB0646

CE



Rel.	Date	Description	Executor signature	Checked

MODIFICATIONS

For dimension without tolerance see standard UNI EN 22768-mK	Treatment	A3	Release
Material			
 Drawn Pedrini R. Date 05-09-2023 Check S. Castaghi Scale ---	BT MOTOR - MOTORE BT 1BT 45-40-1V NA 230V 50/60Hz Th.Prot. CL.B	Weight gr. Ref. No BTNB46TB0547	Release -
		<b>BTNB41TB0646</b>	