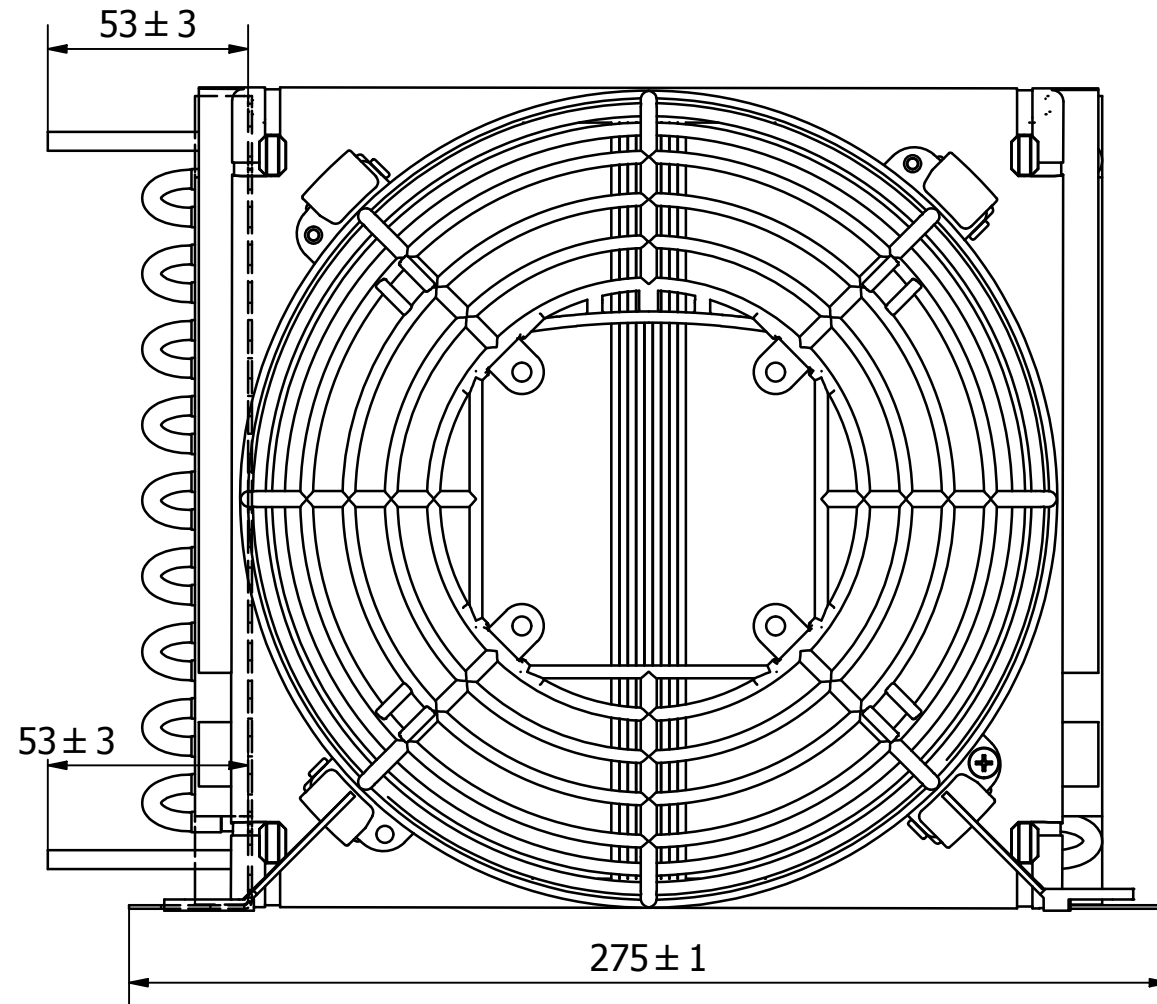
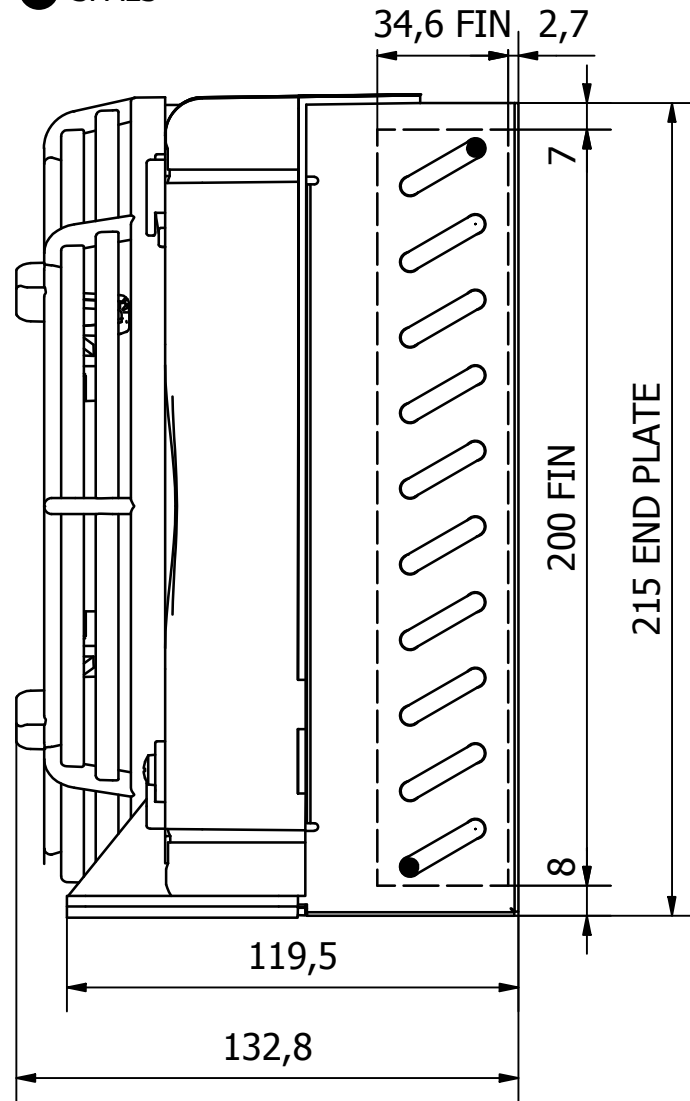
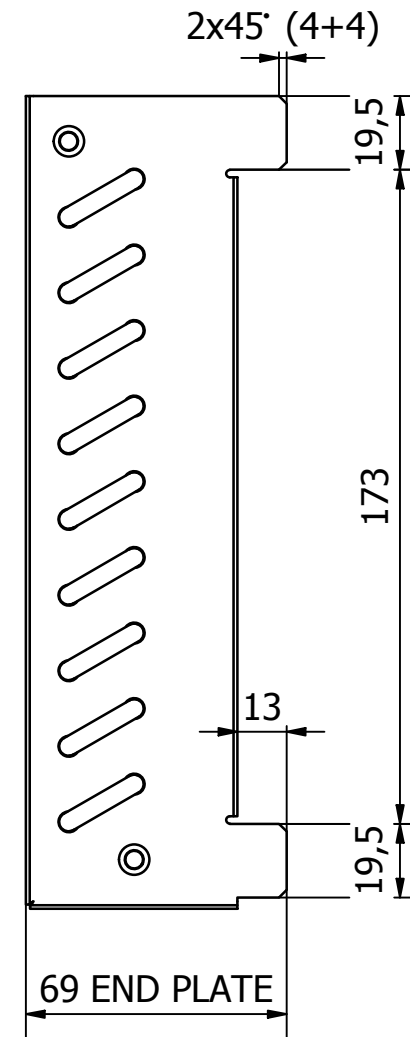


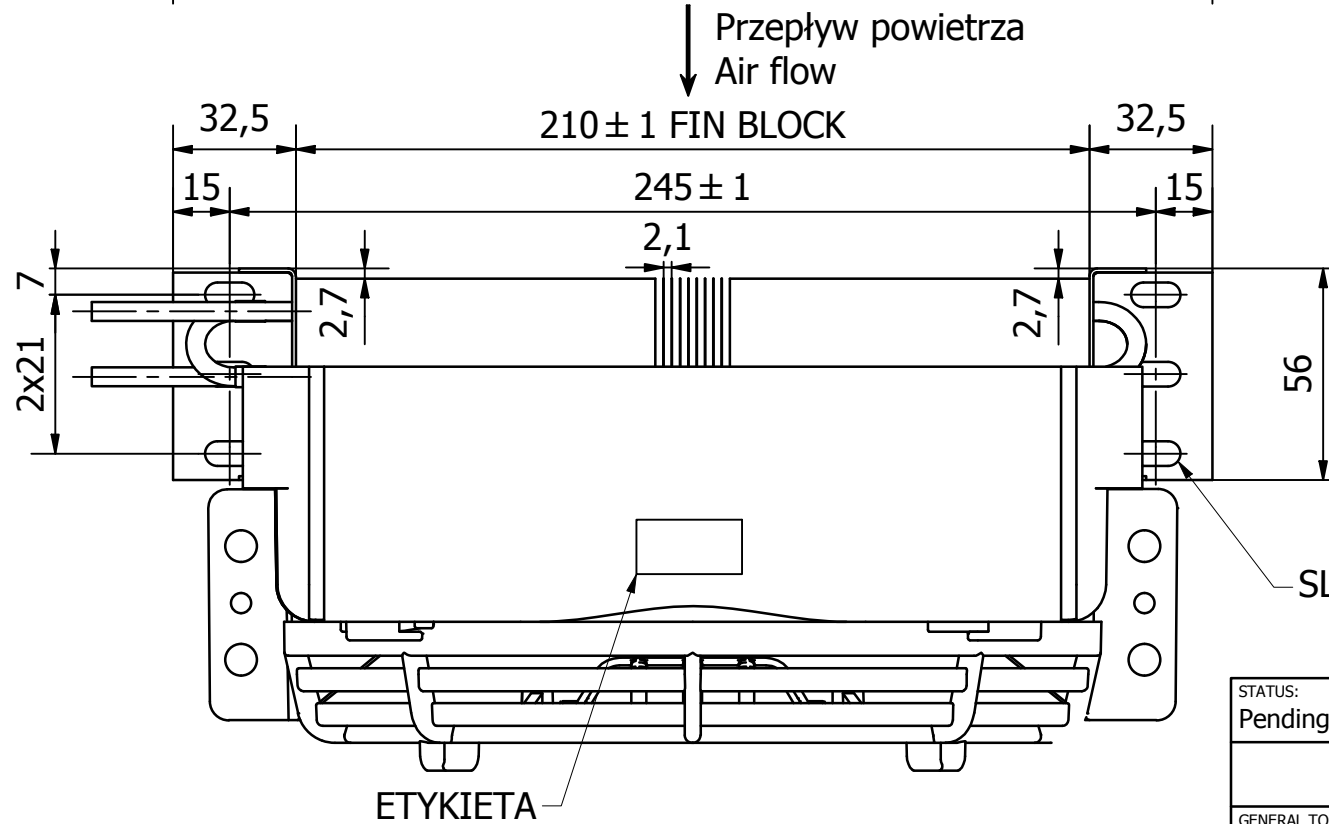
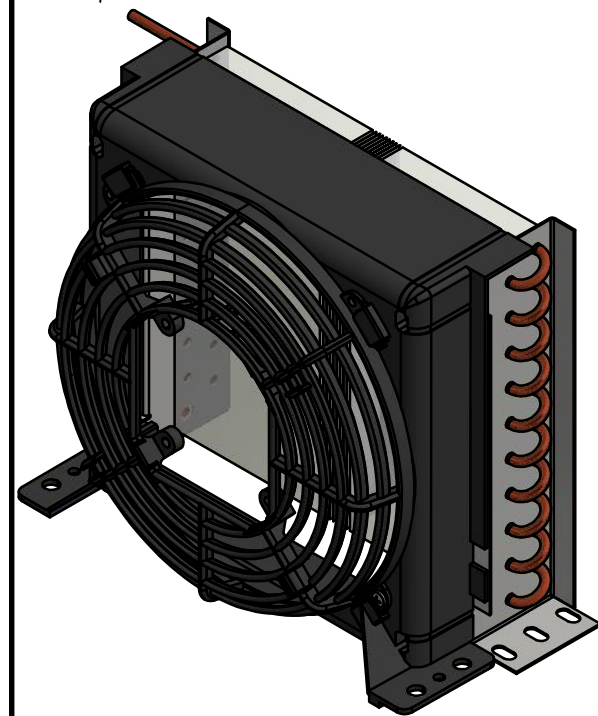
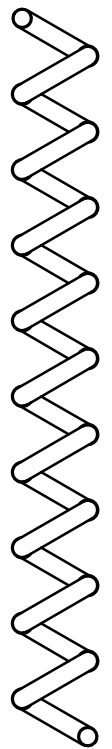
SFALS



WIDOK BEZ OBUDOWY
VIEW WITHOUT COVER



SCHEMAT
OBIEGU
CIRCULATION
SCHEME



Kielichy: 15 (Tulips)
Wystawanie kolanek: 28 +2 -5 (U-Bends)
Wystawanie rurki obiegowej: 14 +2 -5 (Hairpins)

27.09.2021 Tomi Sipilä

SLOT 6,5x13 (3+3)

STATUS: Pending	CHANGE NR.:	CHANGE REASON: 4040/6039351 Creation	CHANGE DATE-HOUR: 23-Sep-2021 11:53	ISSUE: 00
		4040/6039351 Creation	21-Sep-2021 13:31	00
GENERAL TOL.:	PROJECTION: 	MATERIAL CODE: 10239760	CUSTOMER: CAVF 82/REPAIR	
DESCRIPTION: 05G1720P021L0210R02T10C0F0			 SEST-LUVE-POLSKA sp. z o.o. <small>Gliwice ul. Wyczółkowskiego 30 (ZIP Code 44-109) Poland Tel: +48 (0)32 3304050 - Fax: +48 (0)32 3304030 www.sest.it - e-mail: sestlivepolska@livegroup.com</small>	
TREATMENT:	COLOR:	WEIGHT: 0 kg	DRAW DATE: 23/09/2021	APPROVED BY: B.Konsek
			DRAW BY: M.Kurzyca	

CUSTOMER MATERIAL CODE 20192205	TEST PRESSURE 30 Bar	GEOMETRY	TUBE CU Ø5	Grooved
CUSTOMER DRAWING Nr	PS REF. TO PED 30 Bar	TUBE x ROW SPACE 20x17,3 mm	FINS AL	Louvered
NITROGEN CHARGE NO	DESIGN PRESSURE REF. TO UL	Nr OF TUBES Nr OF ROWS 10 2	END PLATES	Thk. 1 mm FEZN
REFRIGERANT PEDgr1 - PED FLUID GROUP 1	TS MIN TS MAX -40 °C +125 °C	FIN SPACE 2,1 mm	COVER PLATES	

This drawing is the property of LU-VE Group, any reproduction and/or distribution without LU-VE Group approval is unlawful.

Technical specification according SPEC1 - Last rev.

TOLERANCES FOR CONNECTIONS UNLESS OTHERWISE SPECIFIED: ±3 mm, ±3°