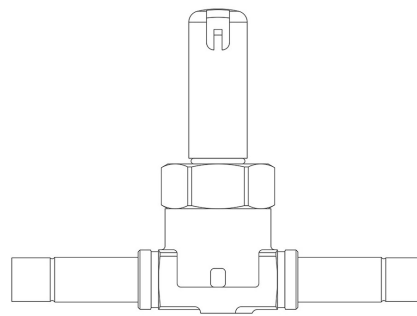


Product Code

1038/3S

Solenoid Valve
3/8"ODS w/o Coil
PS = 45 bar



CLASSIC

Product use

Accessories for use with the following ASHRAE 34:2019 refrigerants, Class A1:

HCFC (R22)

HFC (R134a, R404A, R407C, R410A, R507)

HFO (R1234ze)

HFO + HFC (R448A, R449A, R450A, R452A, R513A, R515A, R515B)

These valves are sold in both the version without the coil (S suffix) and the version with the coil (A6 suffix for coils at 220 VAC and A7 suffix for coils at 240 VAC).

Product details

Principio di funzionamento Servocomando a pistone

Tipo Bobina (1) HF2HF3HF4HM2HM3HM4CM2

Attacchi ODS Ø [in.] 3/8"

Attacchi ODS Ø [mm] -

Kv [m³/h] 1

PS [bar] 45

TS [°C] min. -35

TS [°C] max. +110

Confezione n° pz 24

Notes

(1) : bobine che possono essere montate sulle valvole