

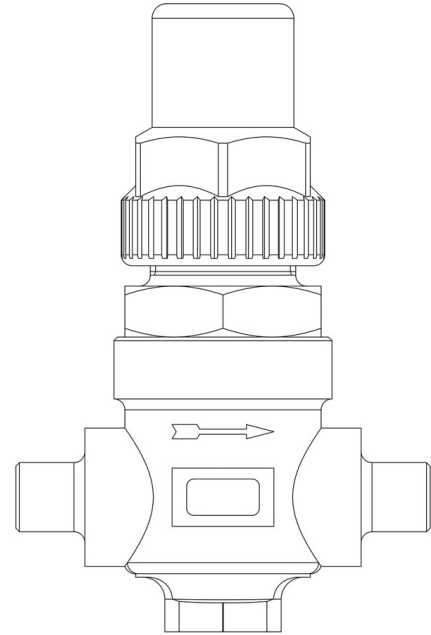
## Product Code

# 6420E/3

Capped valve CO2

3/8"ODS

PS = 120 bar



**G O GREEN**

R744 • NATURAL REFRIGERANT

## Product use

Accessories for use with refrigerant R744.

## Product details

Connections SAE Flare -

Connections ODS Ø [in.] 3/8"

ODS Ø [mm] -

Kv [m<sup>3</sup>/h] 1

PS[bar] 140

MWP [psi] (1) 2030

TS[°C] min. -40

TS[°C] max. +130

Package pcs 45

## Notes

(1): UL approval ongoing