

FMI part number: EC206AAB09DAA1

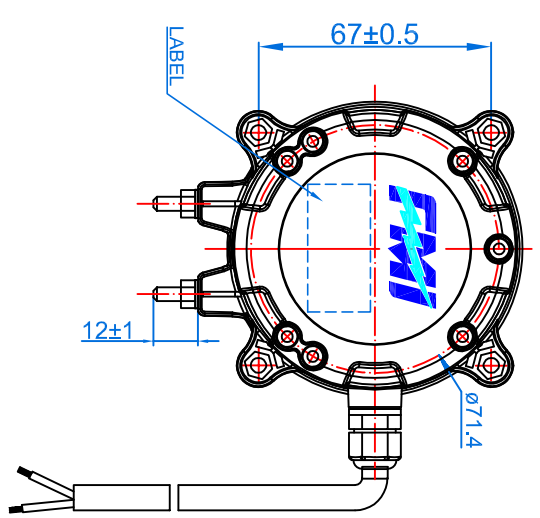
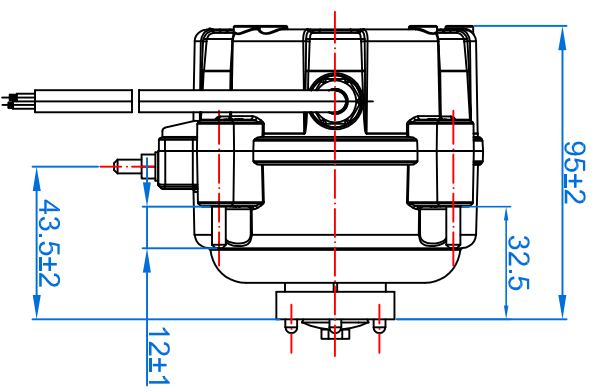
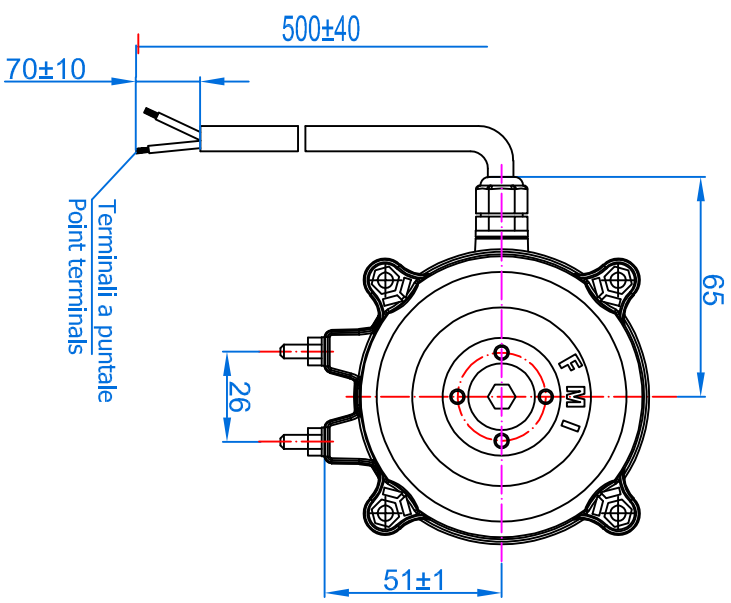
Customer part number:

SP:

Issued: M. Nava

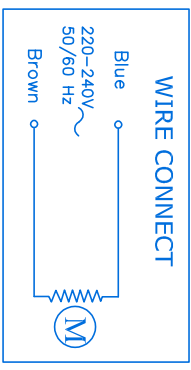
Checked:

ROTAZIONE CCW (ROTATION)



**FMI S.r.l.**  
 CECC I13G Ex na IIA T5 Gc  
 Electronically Commutated Motor  
 EC20  
 220-240V 50/60Hz 0.32 A 32W  
 CL B IP65 1300 Rpm  
 Tamb -30°C to +50°C  
 IT5 IS ATEX 48182  
 FMI Fan Motors Italia S.r.l. ITALY

**N°Ord.**



FAN MOTORS ITALIA

Formato cartella: A2



Issue date:	10/07/2014	Sign
Date	25/02/15	Modification
		Modificata etichetta per ATEX
Scale:	1:1	

Customer stamp for acceptance

This drawing is property of FMI Fan Motors Italia s.r.l.  
 Total or partial reproduction or transmission to third parties is forbidden without consent.

Issue date:	10/07/2014	Sign
Date	25/02/15	Modification
		Modificata etichetta per ATEX
Scale:	1:1	

Customer stamp for acceptance

Note	Electronic motor 20W - IP65
1	1300RPM: 230mm/22° - 254mm/34°
2	Cable with point terminals Cavo con terminali a puntale
3	Ambient temperature: -30°C - +50°C Temperatura ambiente: -30°C - +50°C
4	Ball bearings Motore a cuscinetti