

Päivämäärä 15/9/2022

To the attention of:

Referenssi

Operaattori



KAUPALLISET PUHALLINHÖYRYSTIMET

Tyyppi: F35HC 47 E 9 CO2 DX 85 Bar

Yksikköjen lukumäärä: 1

- Spec. CO2 - DX - Erikois 9mm

Refriger (u) 2021 Ver. 2.2.2.384 - PRICE LIST 1/5/2022

Tuleva (huone) ilman lämpötila	[°C]				-20,0
Huoneen suhteellinen kosteus	[%]				85
Kylmäaine					CO2
Korkeus merenpinnasta	[m]				0
Ulkopuolinen staattinen paine	[Pa]				0
Höyrystimelle vaadittu DT 1	[K]				7,0
Liitäntä	230V-1PH-50Hz				
Varsinainen teho	[W]				2 200
Ilmavirta	[m3/h]				2 850,0
Heittopituus	[m]				20
Lähtevän ilman lämpötila	[°C]				-21,9
Höyrystymis lämpötila	[°C]				-27,5
DT Ylikuumentuminen	[K]				5,0
Lämpötila ennen ekspansiovent.	[°C]				2,0
DT1	[K]				7,5
DTmlg	[K]				6,6
Nesteen painepudotus	[K]				1,4
RC faktori (Sensitiivinen teho/totaalinen teho)	[%]				90,9
Puhallinmoottorin kulutus	[W]				175
Moottorin virran kulutus	[A]				0,8
Maksimivirta (indicative*)	[A]				0,91
Puhallin nopeus	[1/min]				1450
Äänitaso (5 m) 5	[dB(A)@5m]				48
Äänenvoima taso	[dB(A)]				73
Sähkösulatus (230 V)	[W]				2 075
Puhaltimien lukumäärä	[mm]	1 x 350	Paino	[kg]	25
Napaisuus	[n]	4	Liitännät sisään / ulos	[n] x [mm]	1 x 10
Lamelli jako	[mm]	9	Liitäntä ulos	[n] x [mm]	1 x 10
Sisätilavuus	[dm3]	2,1	Tippuveden liitäntä	["]	3/4
Pinta	[m2]	7,0	Kokonaismitat	[mm]	865 x 460 x 487
maks työ paine	[bar]	85,0			
Kotelo materiaali	Sinkitty teräslevy pulverimaalattu RAL 9003		Lamelli materiaali	Al	
Yhdystukkien materiaali	Cu		Putki materiaali	Cu	

* Refer to LU-VE S.p.A. instruction manuals for details, data and standards. Äänen taso 5m . Virta voi muuttua riippuen lämpötilasta, kourutuskerroksesta, ulkopuolisesta painosta. Painot ja mitat ei ole voimassa kaikille mahdollisille rakenteille Kaikki puhallimet ovat ErP 2015-myöntyväiset (Ohjesääntö 2009/125/EC energia liittyvät tuotteet). LU-VE S.p.A. reserves the right to modify and correct at any time, with or without notice, the specifications and prices listed in the Refriger software.

F35HC

4000 ÷ 27500 W

24 MODELS

96 VERSIONS

Unit coolers for cold rooms.

The dimensional and functional characteristics that distinguish the super compact - super efficient cooler range are:

- Super efficient heat exchanger
- Reduced dehumidification
- Reduced frost formation
- Increased air throw
- Greatly reduced internal volume
- Low noise levels
- Low energy consumption
- Very compact overall dimensions.

New features of unit coolers F35HC

- New fan grille JETSTREAMER®
- New strong casing manufactured in galvanised steel, powder coated.
- New motors wiring with electrical box IP 55.
- New mounting brackets to eliminate the empty space between the unit cooler and the room ceiling.

JETSTREAMER®

The special profile of the JETSTREAMER® grille is the fruit of studies undertaken in our R&D laboratories. It combines innovative design with a notable increase in air throw and air quantity, especially with frost on the fins.

BENEFIT

Unit coolers range F35JC with new patented JET-O-MATIC® distributor LU-VE Contardo.

JET-O-MATIC®

Maximum unit cooler capacity at every condition of heat load, room temperature, temperature difference and refrigerant type, specially with the new refrigerants characterized by a mixture with high gas/liquid ratio after the expansion valve.

HITECH

Standard unit coolers range F35HC.

New Turbocoil 2 Heat Exchanger

Our super efficient Turbocoil 2 heat exchanger has a high ratio of capacity/cost, that has been achieved by the following:

Tubes

New small diameter inner grooved helical, high efficiency copper tubes specially developed for the new refrigerants.

Turbofin 2

New aluminium high efficiency fins with special turbulence, reducing dehumidification and frost formation.

Fin Spacing

To satisfy all refrigeration requirements in High, Medium and Low temperature application and in different humidity conditions three new ranges of unit coolers are available

Range 4 = Fin spacing 4,5 mm

Range 6 = Fin spacing 6,0 mm

Range 7 = Fin spacing 7,0 mm

Distributor and Refrigerant Circuit

Distributors and refrigerant circuits optimised to ensure maximum efficiency of the heat exchanger in various applications of the unit cooler.

BENEFIT range (J): JET-O-MATIC® distributor.

HITECH range (H): Venturi distributor.

Suction pressure gauge connection

This allows for the checking of suction pressure and correct performance of the unit cooler.

Fan Motor Assembly

All models use a new type of high efficiency low consumption fan motor assembly, incorporating internal thermal protection. The fans have been statically and dynamically balanced, fan motor assembly are wired to the unit's electrical box.

350 mm diameter motor assembly

Voltage 1ph 230V 50/60Hz

Insulation class F

Protection IP 44.

Electrical box

Protection IP 55.

Electric Defrost

The stainless steel electric heater element permits a quick and efficient defrost of the coil. The heater elements are connected to the unit's electrical box. For special and particularly aggravated conditions of applications a heavy-duty electric defrost for both the coil and shroud is available

.Electrical box

Protection IP 54.

Casing

Specially designed Steel galvanised casing with **Epoxy-Polyester** powder coating corrosion resistant. The new designed casing is carefully constructed and painted to blend with materials normally used in cold rooms.

Maintenance and Cleaning

Access to all internal parts can be achieved with one tool; the grill, side panels and drip tray are easily detached giving access to fan motor assemblies, electric heater elements, and TEV.

The units are EUROVENT certified

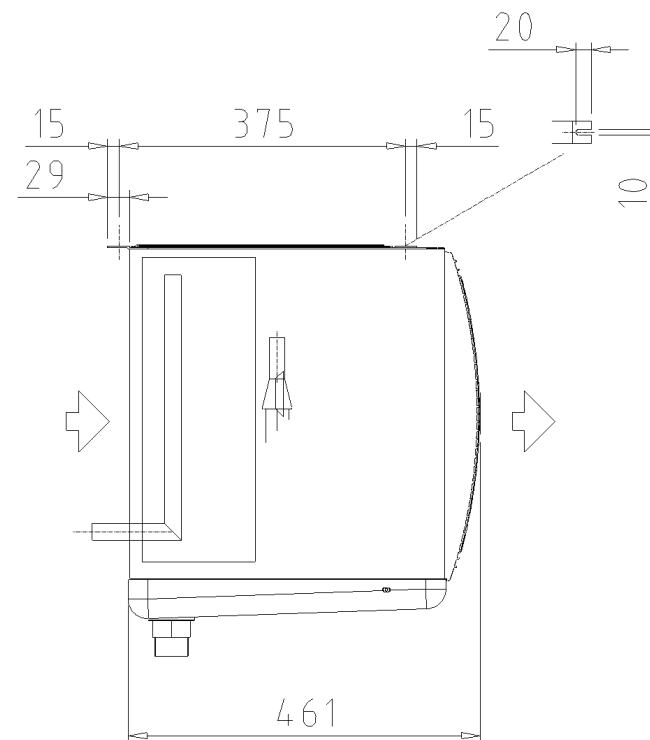
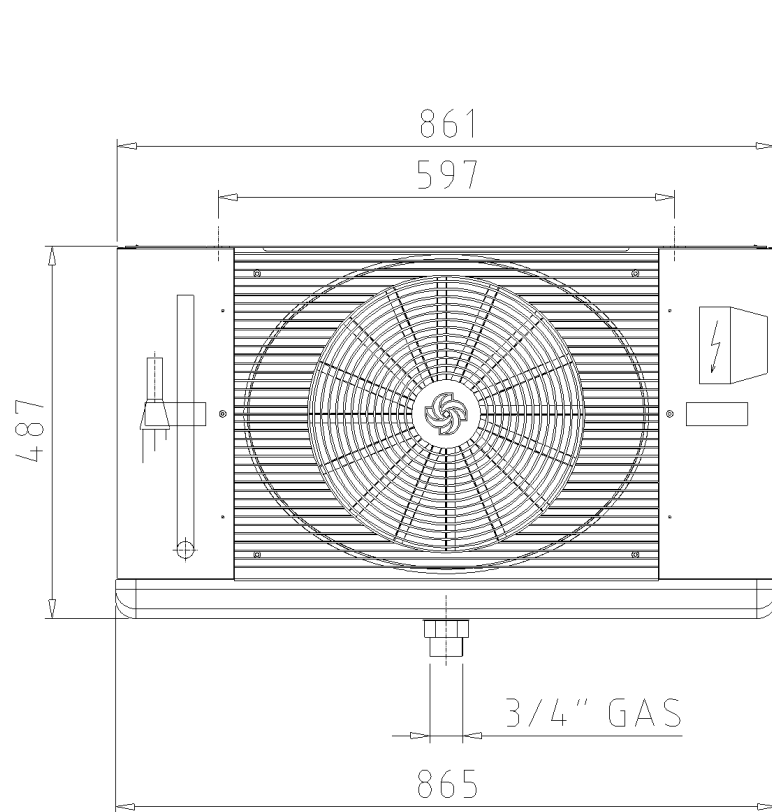
Design standard

The products are provided for incorporation in machines as defined in the EC Machine Directive **89/392/EEC** and subsequent modifications according to the following safety standard references:

- **EN 60/335-1 (CEI 61-50)** Safety of household and similar electrical appliances. General requirements.
- **CEI-EN 60/335-2-40** Safety of household and similar electrical appliances - Part 2: Particular requirements for electrical heat pumps, air conditioners and dehumidifiers.
- Machine Directive **89/336 EEC** and subsequent modifications. Electromagnetic compatibility.
- Directive **73/23 EEC** Low tension.
- **EN 294** Fan guards.

Quality Assurance

LU-VE is a certificated company to UNI EN ISO9001:2000, which is the most important Quality Assurance qualification, covering Development, Testing, Production method and Inspection procedures.



Date	4-3-2008	Type: F35HC 47 E 9 C02 DX 85 BAR
Scale	1:10	Code: 910111639

Standard unit without accessories. For the connections please refer to the data sheet.