



**ZANOTTI Spa**  
 Via M.L. King, 30  
 46020 - Pegognaga (MN) - ITALY  
 Tel. +39 0376 5551  
 Fax +39 0376 536554  
 info@zanotti.com

# Technical specifications

Version 1.48

Model:

Class:

**MGM107EA11XA**

**Uniblock GM**

## Technical data

Characteristics	M.U.	Value
Working temperature	°C	+10 ÷ -5
Starting mode		Direct
Voltage	Volt-Ph-Hz	230/1~/50
Rated input	kW*	0,70
Rated input	Amp*	4,30
Peak current	Amp	32,0
Max current	Amp	9,5
Refrigerant		R134a
	GWP	1430
Defrost		Hot gas
Mass	Kg	56

## Compressor

Type		Hermetic
Nominal power	kW	0,7

## Condenser

Air flow	m³/h	600
----------	------	-----

## Evaporator

Air flow	m³/h	600
Air throw	m**	4

PED Category		0
--------------	--	---



## Power data

Tc °C	Ta °C	P watt	P Kcal/h	V100 m³	V80 m³	V60 m³
	20	2072	1782	20	18	17
	25	1926	1656	17	15	14
10	30	1825	1570	17	15	14
	35	1736	1493	16	15	13
	40	1624	1397	15	14	12
	45	1455	1251	13	12	11
	20	1750	1505	16	15	13
	25	1628	1400	15	14	12
5	30	1535	1320	14	13	12
	35	1453	1250	13	12	11
	40	1365	1174	12	11	10
	45	1253	1078	10	9,1	8,3
	20	1527	1313	13	12	11
	25	1409	1212	12	11	10
0	30	1315	1131	11	10	9,1
	35	1237	1064	10	9,1	8,3
	40	1166	1003	9,2	8,4	7,6
	45	1094	941	8,4	7,6	7
	20	1327	1141	11	10	9,1
	25	1188	1022	9,4	8,6	7,8
-5	30	1100	946	8,4	7,6	7
	35	1038	893	7,8	7,1	6,5
	40	975	838	7,1	6,5	5,9
	45	885	761	6,1	5,6	5,1

\* When normally running: 0 ÷ +30°C

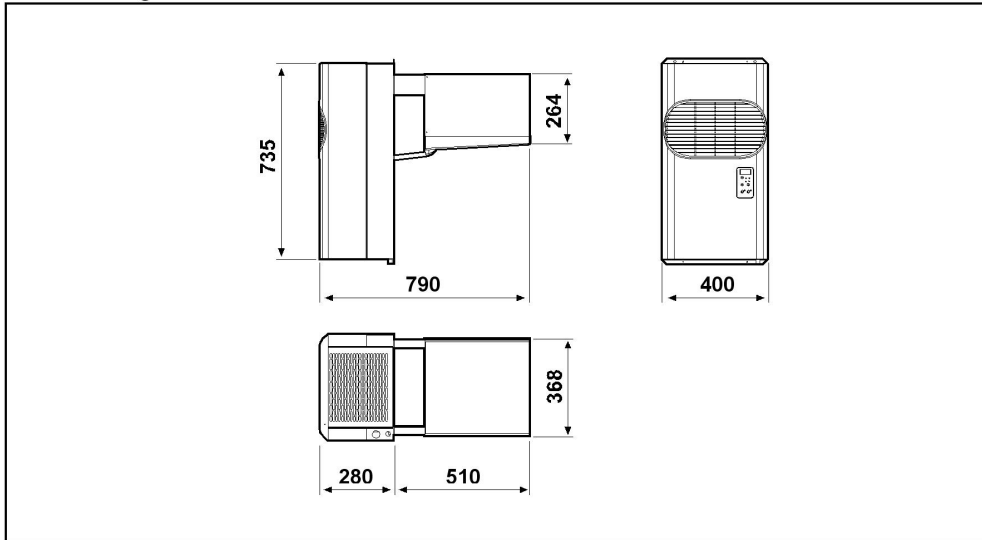
\*\* Use air throw as a base. Air throw is affected by many factors such as height of room, product storage, location of evaporator, etc.

Tc: Coldroom temp. - Ta: External temp.

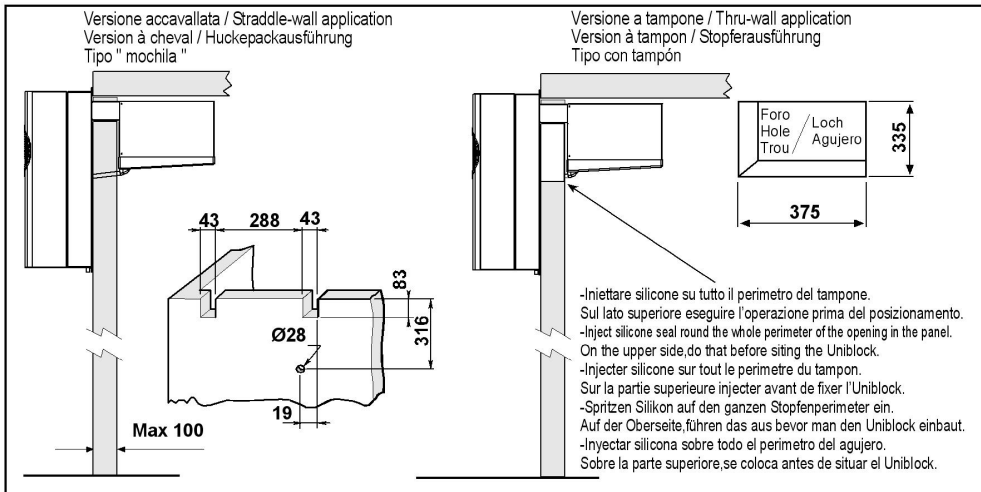
P: Refrigerant capacity - V: Recommended cold-room volume

Dimensioni - Dimensions - Dimensions  
Abmessungen - Dimensiones

**GM1**

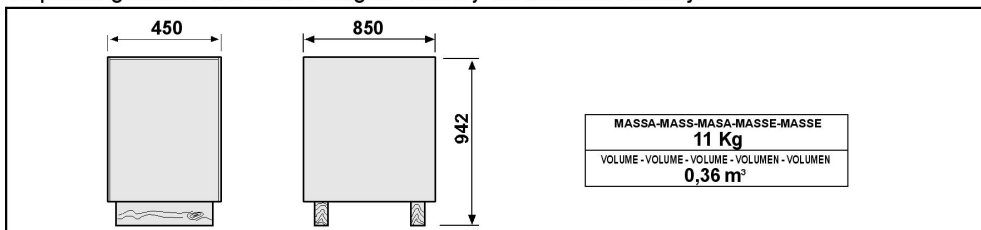


Schema di montaggio - Mounting scheme - Schema de montage  
Montageschema - Esquema de montaje



- \* Raccomandazioni in sede di installazione e per il controllo fornite sul manuale di installazione
- \* To be advised at time of order for factory installation and operating instructions
- \* Recommendations au moments d'installations et pour le contrôle fournis sur le manuel d'installation
- \* Empfehlungen für die Installationsphase und zur Kontrolle, die im Handbuch zur Installation enthalten sind
- \* Por cuanto respecta a recomendaciones de instalación y control ver manual de instalación

Massa e misure imballi - Packing mass and dimensions - Masse et dimensions emballages  
Verpackungsmasse und-abmessungen - Masa y medidas del embalaje



**ZANOTTI S.p.A.**