

AXIAL FAN

HAILE ELECTRIC

Unit:axial fan motor

Type:

Motor:single phase motor with capacitor

Customer:

Motor type:MTA303RF

Customer type:

Type	Voltage v	Frequency Hz	Input power W	Current A	Speed r/min ±5%	Air volume m³/h	Noise level dBA	Capacitor μF/VDB
MTA303RF	380	50	190	0.6	1370	3510	68	

Insulation class : B

Operating type: S1

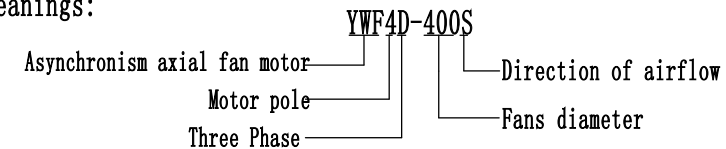
Permissible ambient temperature : -30~60°C

Temperature increase: $\Delta T \leq 85k$

Bearings: ball bearings

License: CE

Model meanings:



Electrical connection:lead wire 0.50mm

Direction of rotation:clockwise(sucking),Airflow direction:"S" looking at rotor side

High-voltage test according to EN 60335-1 1800V

Material/Surface treatment:rotor with condensation drain holes varnished black, stator temperature protected

Balance grade:G6.3 Fan balanced dynamically in two planes

APPROX. WEIGHT

MEANS

DRN. BY

CHD. BY

ENG. BY

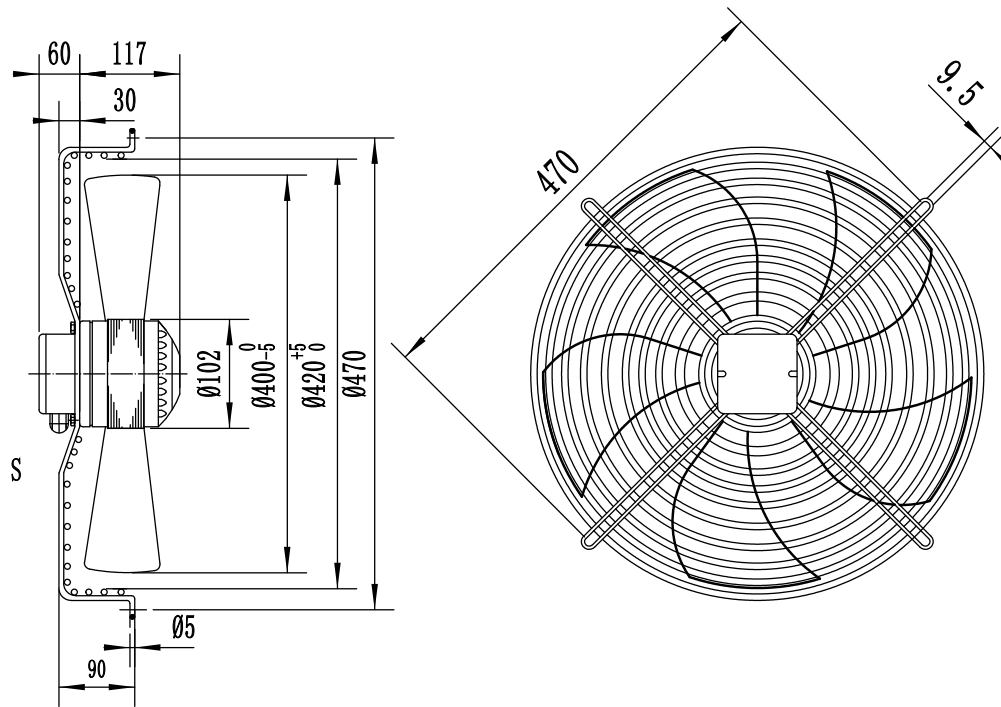
APP. BY

HAILE

A4

SCALE

SHEET: of



MTA303RF AXIAL FAN MOTOR

380V 3PH 50Hz 0.6A

190W 1370r/min CL. B



THREE-PHASE WIRING DIAGRAM

