

SPECIFICATIONS FOR APPROVAL

Axial Fan

Model: 12038B2HT(MTF605RF)

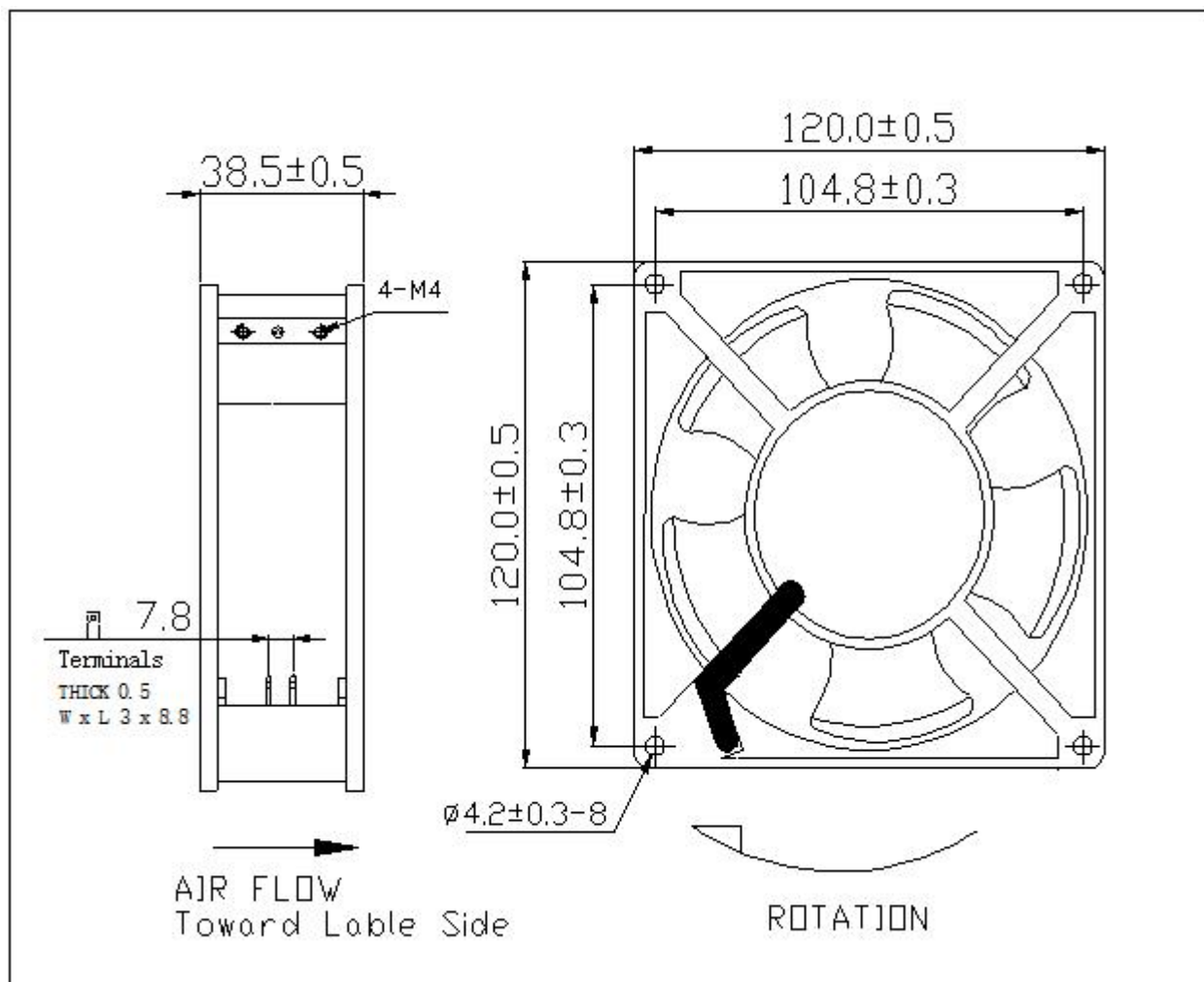
AC220V 50/60Hz 0.13/0.11A

Customer	:	Ref:	
Model No.	:	12038B2HT	
Samples attached	:		
SPECIFICATION *****			
<u>Item</u>		<u>Specification/Condition</u>	
Dimension	:	120x120x38 mm	
Bearing System	:	BALL BEARING	
Rated Voltage	:	220 VAC 50/60Hz	
Operating Voltage	:	200 VAC—240 VAC	
Start-up Voltage	:	160 VAC NORMALLY	
Rated Current	:	0.13/0.11±10% Amp NORMALLY	
Rated Power	:	17/15±10% Watt NORMALLY	
Rated Speed	:	2650/3000±10% RPM	
Air Flow	:	2.38/2.72 m ³ /min (84/96CFM)	
Static Air Pressure	:	7.5/7.8mmH ₂ O	
Noise Level	:	43/47dBA	
Motor Protection Type	:	BY IMPEDANCE	
Life Expectance	:	50000 Hours at Room Temperature	
Operation Temperature	:	-20°C to +70°C	
Net Weight	:	480 Grams	
Packing	:	40 Pcs Per Export Carton	
		Model No.: 12038B2HT	
		Approved By:	Checked By: Prepared By:

MATERIAL

1. Impeller : Thermoplastic PBT
2. Bobbin : Thermoplastic PA66
3. Lead Wire : UL 1430 AWG#22
4. Housing: Die-cast aluminum

DIMENSIONS: MM



Performance Curve

