

09-2024

CAREL Nordic AB



Product Termination Notification (PTN) – boss mini wired 30 devices model

As we continuously review and assess our product portfolio, certain products will be discontinued. This Product Termination Notification is being issued to inform you of the cancellation of the below product.

Products affected

BMEST00RS0 boss-mini wired 30 devices

BMEST03RS0 boss-mini wired 30 devices + 3 credits included

Last Order Date (LOD) 30/01/2025

Last Shipment Date (LSD) 30/06/2025

IMPORTANT NOTICE

- This notice is effective immediately;
- Please do not use these products for new projects;
- Repairs and spare parts after the LSD will be guaranteed with original products or functionally-equivalent products, subject to availability;

Detailed Product Termination information

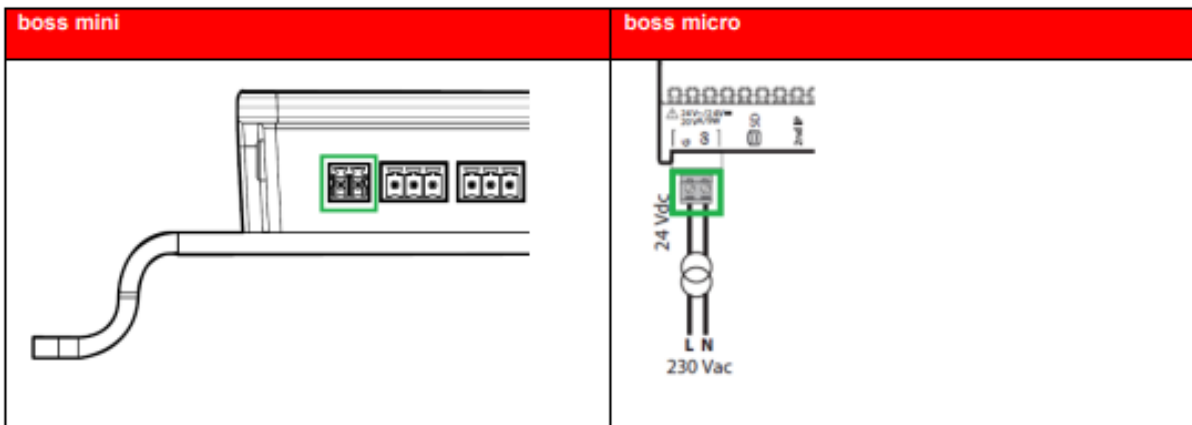
Reasons	The introduction of the boss micro enhanced, strategic choice for the small-medium size installations, makes redundant the offer of the boss mini wired 30 devices.
Replacements	BMBSE00RP0 boss micro enhanced wired + 3 credits included
End of support (EOSS)	30/06/2030
Notes	Please, refer to the official documentation for details about boss micro enhanced product.
Additional Attachments	Procedure for replacing boss mini with boss micro enhanced

-----> ANNEX <-----

The purpose of this attachment is to provide indications about the main differences to consider, when replacing a boss mini with a boss micro.

Power supply

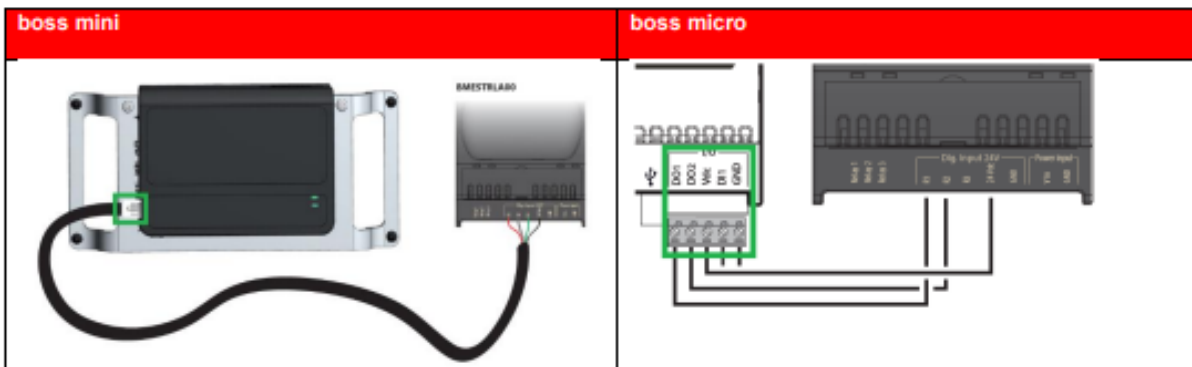
The power supply used for the boss mini (24 Vdc) can be used also for the boss micro product. Please, consider that the connector is different, and it needs to be replaced with the one available in the boss micro product packaging.



Relays module

The digital output connection of the boss micro is not the same of the boss mini; the wiring needs to be adapted or remade at the boss side.

IMPORTANT NOTE: boss micro handles only 2 relay outputs.



Configuration/backup import

Starting from the boss Service pack 1.14, it will be possible to import into a boss micro enhanced a backup exported from a boss mini wired 30 devices. This feature makes the boss mini replacement much easier, keeping the same configuration of an already installed and configured boss mini.

Please do not hesitate to contact us for any further information.

Best regards

Anders Olsson