



## IQ MODULAR

---

**ITV**  
ICE makers

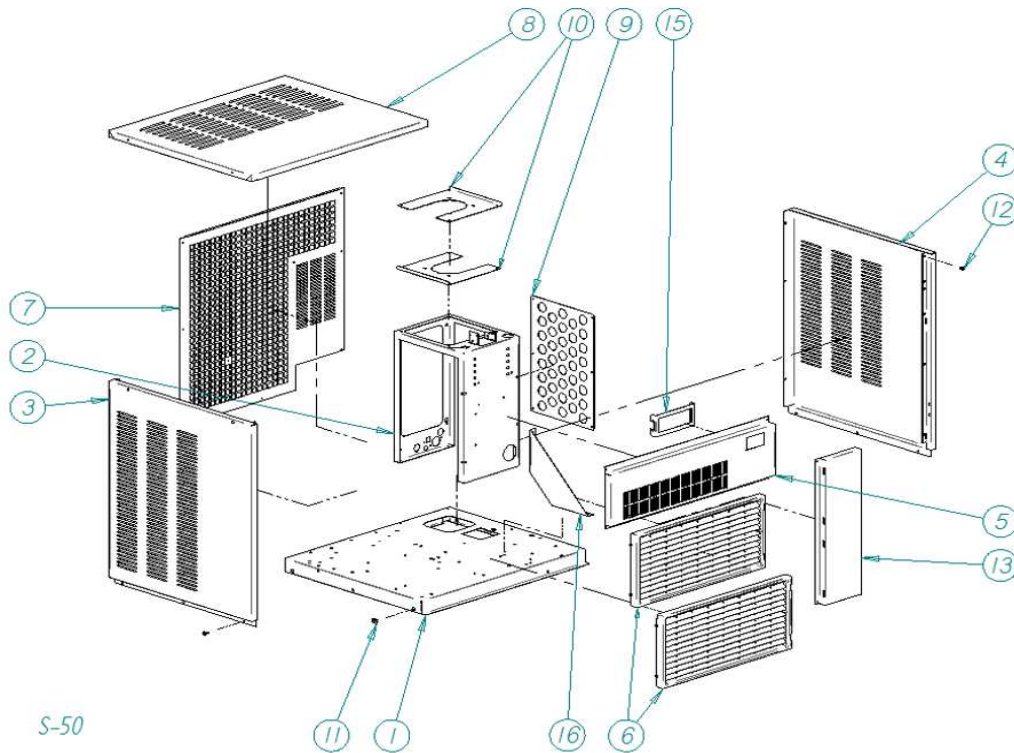


DESPIECE / REPUESTOS  
EXPLODED VIEW / SPARE PARTS  
EXPLOSIONSZEICHNUNG / ERSATZTEILE  
VUE ÉCLATÉE / PIÈCES DÉTACHÉES  
ESPLOSO / RICAMBI





FROM SERIAL NUMBER 1232138

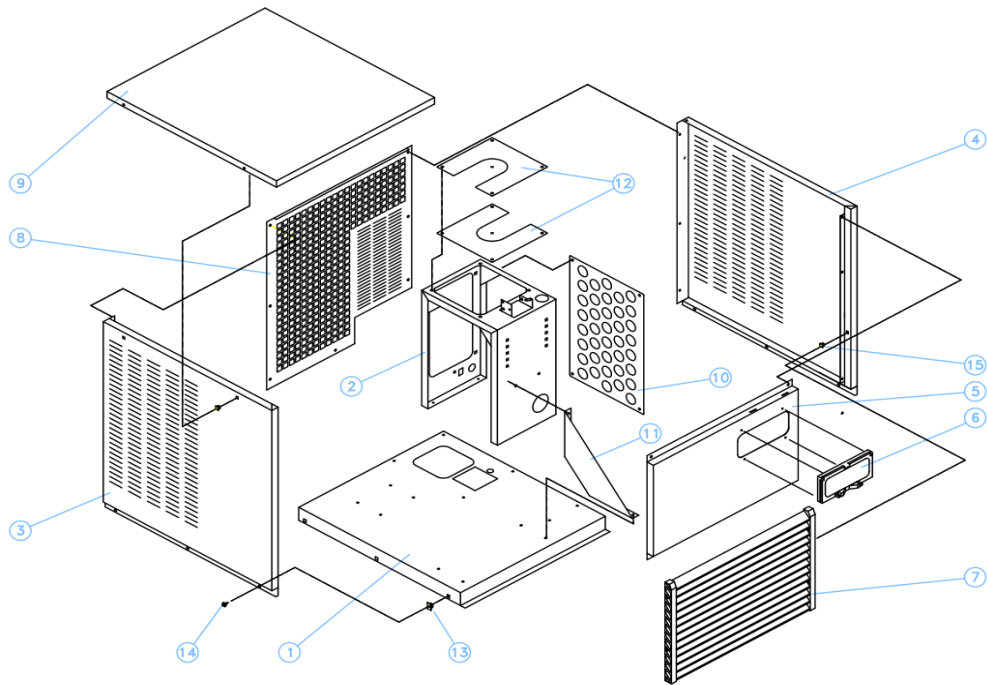


S-50

NAME	MODEL					
	IQ 135	IQ 150	IQ 200	IQ 400	IQ 550	IQ 1100
1 BASE	1915	2456	2475		2730	
2 BRIDGE	1916	2458	2476	2715	2720 X 2	
3 LEFT PANEL	1928	2464	2479	2711	2736	
4 RIGHT PANEL	1927	2463	2478	2710	2735	
5 FRONT PANEL	6646	---	6647	(I) 6648	(I) 6650	2738
	---	---	---	(III) 6653	(III) 6651	---
6 AIR GRILLE	6084	4185 X 2	4186 X 2	4186 X 3	7572 X 2	
7 BACK PANEL	1949	2466	2481	2712	2737	
8 TOP PANEL	2465		2480		2729	
9 LATERAL COVER	---	---	---	2717	---	
10 SUPPORT BRIDE	2455 X 2		2477 X 2		2477 X 4	
11 PLASTIC NUT	2440					
12 PLASTIC NUT	2347					
13 FRONT PANEL	---	---	6656	6657	6658	2724
15 LED SUPPORT	6659					
16 REAR STAY	---	---	1417		---	

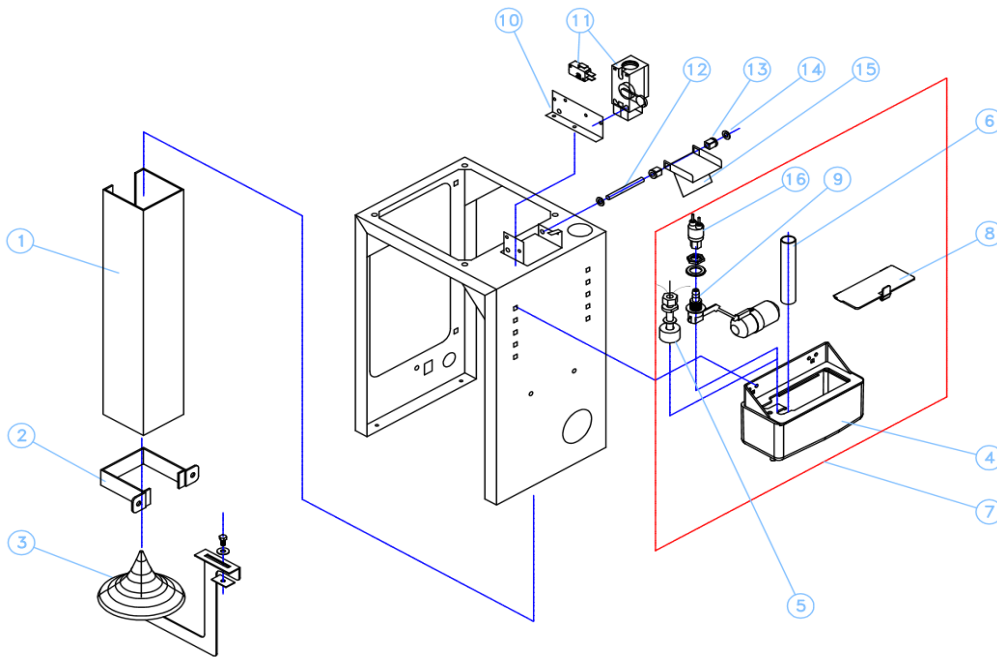


UNTIL SERIAL NUMBER 1232138



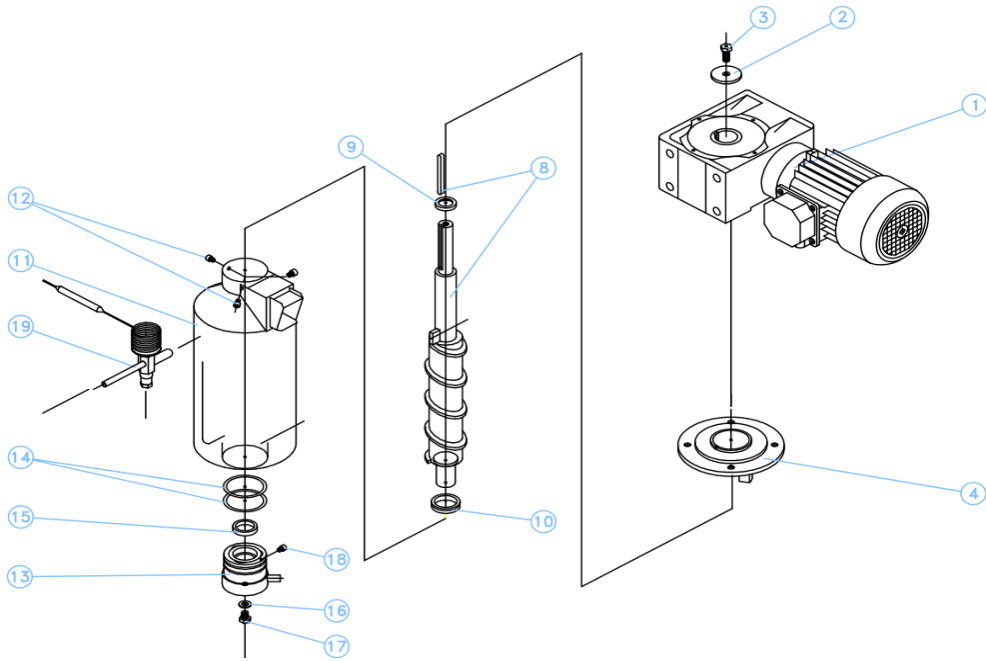
S-18

NAME	MODEL					
	IQ 135	IQ 150	IQ 200	IQ 400	IQ 550	IQ 1100
1 BASE	1915	2456		2475		2730
2 BRIDGE	1916	2458	2476	2715		2720 X 2
3 LEFT PANEL	1928	2464	2479	2711		2736
4 RIGHT PANEL	1927	2463	2478	2710		2735
5 FRONT PANEL	1948	2467	2482	2713		2738
6 PLASTIC COVER			1479			
7 REAR GRILLE		7571		7573		7572
8 REAR PANEL	1949	2466	2481	2712		2737
9 TOP COVER		2465		2480		2729
10 SIDE REINFORCEMENT	---	---	---	---	2717	---
11 CORNER REINFORCEMENT	---	---	---	1417		---
12 MOTO BRACKET		2455		2477		
13 SMALL NUT			2440			
14 SCREW			2491			
15 PLASTIC NUT			2347			



S-19

	NAME	MODEL					
		IQ 135	IQ 150	IQ 200	IQ 400	IQ 550	IQ 1100 (2 evaporators)
1	ICE DELIVERY CHUTE	2441		2442	2443	2444	2444
2	ICE DELIVERY CUBE FLANGE				2447		
3	DISPERSION CONE				7228		
4	WATER BIN				6036		
5	WATER LEVEL PROBE				5423		
6	OVERFLOW TUBE				2505		
7	COMPLETE WATER BIN				5231		
8	WATER BIN COVER				1968		
9	FLOAT				5340		
10	MICRO SUPPOTY		---				2863
11	STOP MICRO				2517		
	STOP MICRO (old IQ550)		---				2562
12	SHAFT				2514		
13	DOOR BUSHING				171		
	ARTICULATION JOINT(old units)				107		
14	ARTICULATION JOINT				6004		
15	STOP FLOATING				2434		
16	WATER PRESSURE SWITCH (old IQ550)		---				1120
15	STOP FLOATING SPRING				817		

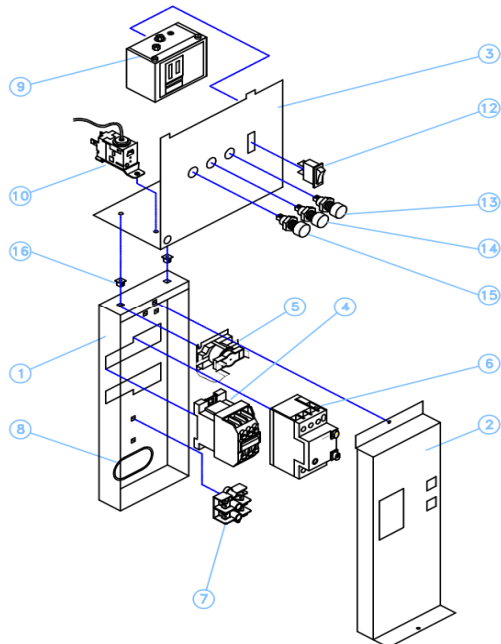


S-17

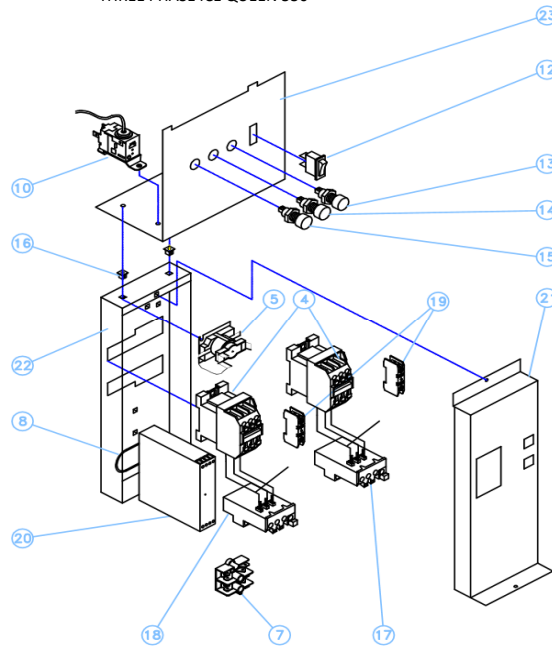
	NAME	MODEL					
		IQ 135	IQ 150	IQ 200	IQ 400	IQ 550	IQ 1100 (2 evaporadores)
1	GEAR MOTOR						
	220V/50Hz		3201		3202	6757	6757
	Old one phase (before de 1232164) 220V/50Hz		3201		3202	7597	7597
	380V/50-60Hz		---		510	6019	7596
	Old three phase (before 1051659) 380V/50-60Hz		---		510	7596	6019
	230V/60Hz		1031		1253	1031	---
2	WASHER		2512			1850	1850
3	SCREW		3297			719	719
4	MOTOR SUPPORT		5365			5366	5366
8	AUGER	2245		2246	50	894	894
9	WASHER	---	---	---		1820	1820
10	V-RING SEAL		2334			2335	2335
11	EVAPORATOR						7636
							(right)+7639(left)
12	SCREW				2871 (M6)	3560(M10)	
13	BOTTOM BEARING		125			162	162
14	O-RING		2256			2484	2484
15	SEAL		725			726	726
16	WASHER				2510		2510
17	SCREW				2449		2449
18	SCREW				2595		2595



UNTIL SERIAL NUMBER 1232138



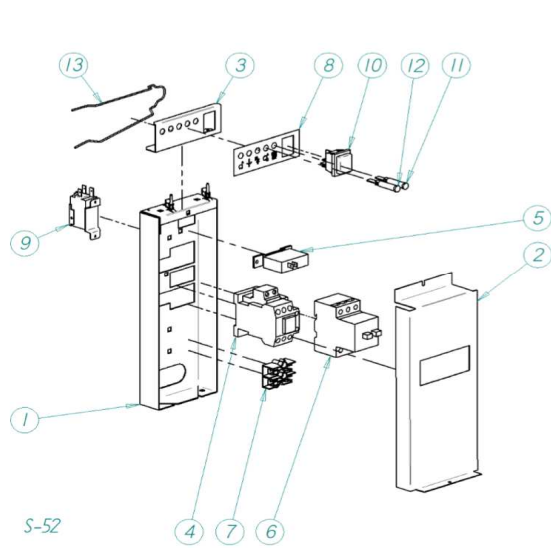
THREE PHASE ICE QUEEN 550



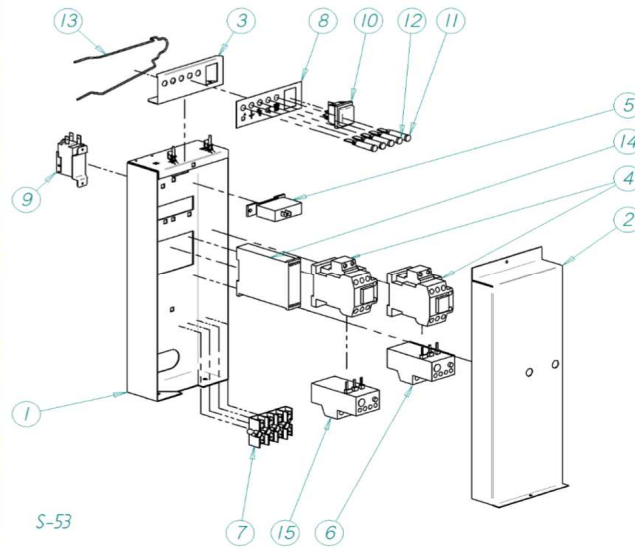
	NAME	MODEL					
		IQ 135	IQ 150	IQ 200	IQ 400	IQ 550	IQ 1100
1	BASE			2472			2734
2	COVER			2974			2724
3	PILOT SUPPORT	1950		2473	2483	2714	2723
4	CONTACTOR				536		
5	TIMER				2471		
6	BREAKER			2470		1964	
7	CONNECTING POINT				5177		
8	BUSHING				731		
10	CONDENSATION PRESSURE SWITCH				2507		
12	SWITCH				2300		
13	GREEN PILOT				825		
14	ORANGE PILOT				2498		
15	RED PILOT				826		
17	OVERLOAD GEAR MOTOR		---			47135	
18	OVERLOAD COMPRESSOR		---			47509	
19	AUX. CONTACT		---			3219	
20	PHASE DETECTOR		---			3210	
21	BOX COVER		---		3221		---
22	BASE		---		3218		---
23	PILOT SUPPORT		---		3220		---



SINCE SERIAL NUMBER 1232138



THREE PHASE ICE QUEEN 550

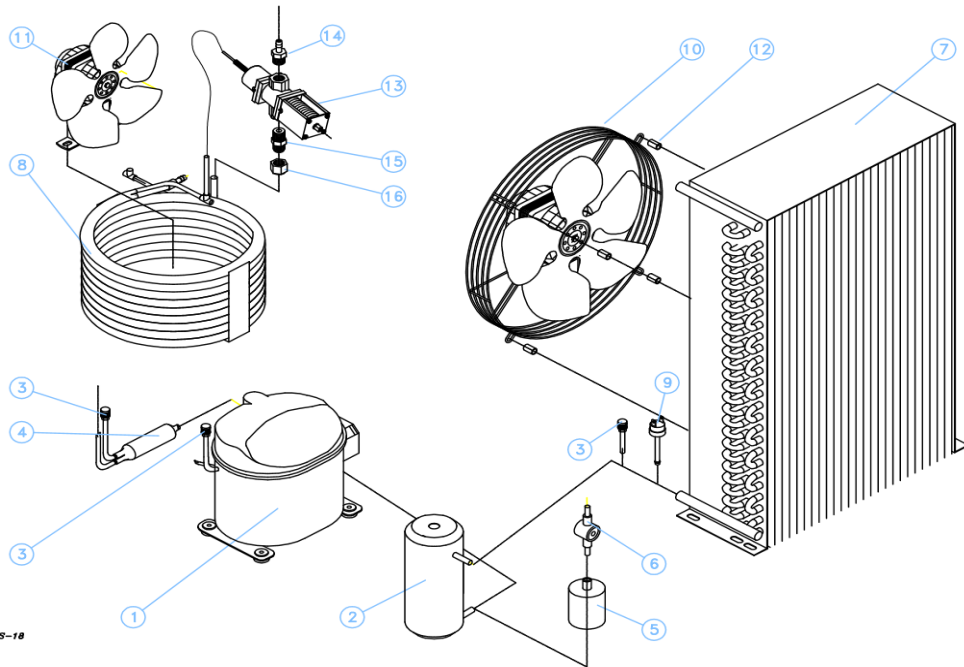


	NAME					
	IQ 135	IQ 150	IQ 200	IQ 400	IQ 550	IQ 1100
1	BASE					
2	COVER					
3	LED SUPPORT					
4	CONTACTOR					
5	TIMER					
6	GEAR MOTOR OVERLOAD					
7	CONNECTING POINT					
8	BUSHING					
9	CONDENSATION PRESSURE SWITCH					
10	SWITCH					
11	ORANGE LED					
12	RED LED					
13	LED MOORING					
14	PHASE SEQUENCE RELAY					
15	COMPRESOR OVERLOAD					

# AIR-WATER CONDENSER



# IQ MODULAR



S-18

	NAME	MODEL					
		IQ 135	IQ 150	IQ 200	IQ 400	IQ 550	IQ 1100
1	COMPRESSOR	230V - 50HZ	8437	8438	30441	30442	---
		230V - 60HZ	81095	81098		32029	
		115V - 60HZ	---		2026		---
		TRIF. 380V - 50HZ	---		34364		30525
2	LIQUID ACCUMULATOR (old units)	---	---	---	432	---	6241
3	VALVE			335			
4	DRIER		1717		1096		---
5	DRIER		---	---	---		2560
6	SIGHT GLASS (old units)		---	---	---		336
7	AIR CONDENSER		488	499	8181	8181	2732
	old units		---	---	1032	2474	---
8	WATER CONDENSER		5243	5244	5246		5879
9	HIGH PRESSURE SWITCH			334			
10	AIR CONDENSER FAN	230V - 50HZ	445+4495	410+4994	2446	7523	---
		230V - 60HZ	445+4495	445+4495	2446	7523	---
		115V - 60HZ	---	---	230	---	---
		3 P.. 380V - 50HZ	---	---	2446		7523
11	WATER CONDENSER FAN(old units)	230V - 50HZ		444			---
		230V - 60HZ		444			
		115V - 60HZ	2763	---	2763		---
		3 P.. 380V - 50HZ	---	---		444	
12	MOTOR SPACERS		---		1223	---	123
13	WATER PRESSURE SWITCH VALVE				425		
14	WATER PRESSURE SWITCH VALVE HOSE				1015		
15	3/8" SAE - 3/8" GAS CONNECTION				430		
16	SAE 3/8" NUT				426		