

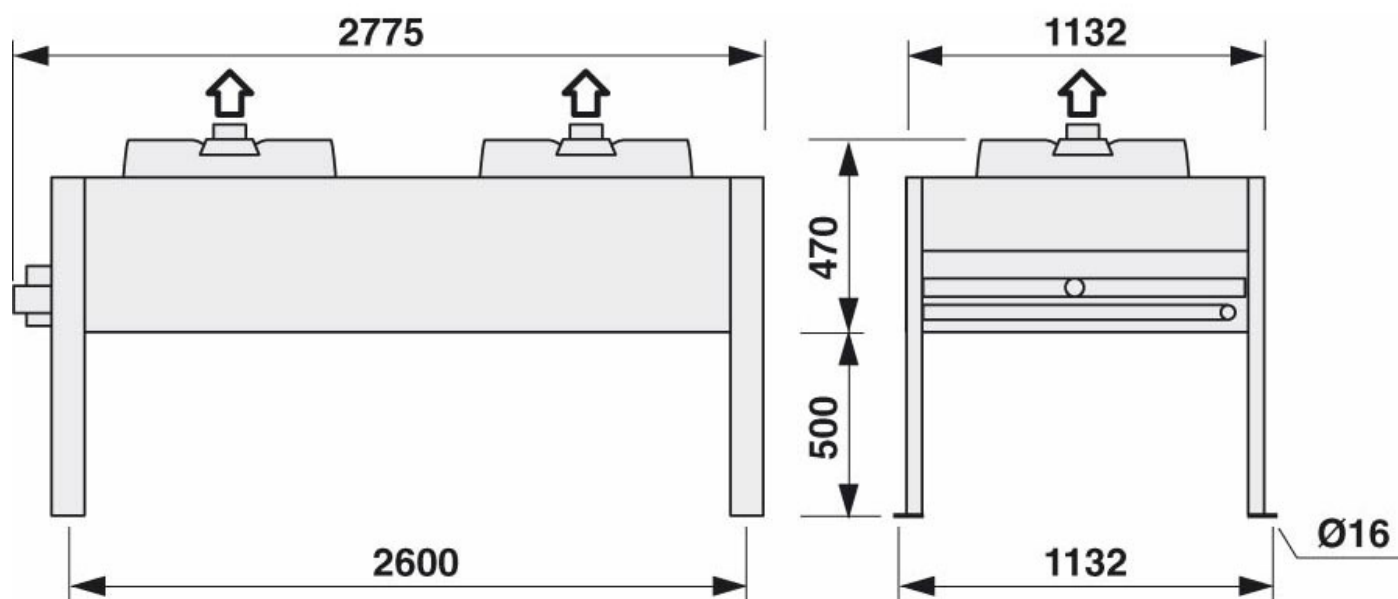
Customer
 Date 13/02/2017
 Project
 Reference
 Quotation No



Stefani S.p.A.
 Via del Lavoro, 9
 Castegnero (VI) - ITALY
 Tel. +39 0444 639 999
 Fax. +39 0444 638 240

Dry Cooler
 Model 1 x SDNL 063/2 C 6 D V EC Circuits 33

| | | | |
|---------------------------|-------------------------|-------------------------------|--------------------------|
| Capacity | 55,4 kW | Fluid | ETH. GLYCOL 35% |
| Air Inlet Temperature | 30,0 °C | Fluid Inlet Temperature | 43,0 °C |
| Air Outlet Temperature | 39,7 °C | Fluid Outlet Temperature | 35,7 °C |
| Relative Humidity In | 40 % | Fluid flow rate | 7,20 m ³ /h |
| Altitude | 0 m | Pressure drop | 46 kPa |
| Air Flow | 17250 m ³ /h | RPM rate | 75 % |
| Number fans | 2 | Fan Speed | 855 1/min |
| Fan Diameter | 630 mm | Noise Power Level | 76 dB(A) |
| Voltage | 400 V | Noise Pressure Level ISO 3744 | 45 dB(A) at 10 m |
| Frequency | 50 Hz | Power consumption | 835 W |
| Power Supply | EC Fan Three Phases | Nominal Power | 1980 W |
| Available Static Pressure | 0 Pa | Nominal Current (*) | 3,2 A |
| Surface | 210,6 m ² | Tubes | Copper |
| Internal Volume | 31,3 dm ³ | Fins | Aluminium |
| Fin Spacing | 2,1 mm | Casing | Galvanized steel painted |
| Weight | 185 kg | Length | 2775 mm |
| Connections IN | 1"1/2 | Height | 970 mm |
| Connections OUT | 1"1/2 | Width | 1132 mm |
| Connections position | Same side | PS | 16 bar |



(*) Current consumption can be different due to the air temperature

MasterUnits 6.5 - v. 150909

NOTE