

Date 27/4/2023
 For the attention of:
 Reference
 Operator



COMMERCIAL UNIT COOLER:CUBIC

Type: SF27HC 46 E 7

N. units: 1

Refriger (u) 2023 Ver. 2.3.0.390 - PRICE LIST 1/1/2023

Inlet air temp. (room)	[°C]		-20,0
Room relative humidity	[%]		85
Refrigerant			R454C
Altitude	[m]		0
Residual static pressure	[Pa]		0
DT1 needed for unit cooler (Dew)	[K]		7,0
Connection	230V-1PH-50Hz		EC FANS
Actual capacity	[W]		2.670
Air flow	[m3/h]		2.260,0
Air throw	[m]		15
Outlet air temperature	[°C]		-23,1
Evaporating temp (Dew)	[°C]		-27,0
DT superheating (Dew)	[K]		5,0
Temp. before expansion valve	[°C]		12,2
DT1 (Dew)	[K]		7,0
DTmlg	[K]		5,3
Fluid pressure drop	[K]		1,0
RC factor (Sensible capacity/Total capacity)	[%]		90,9
Energy efficiency class			A
Fan motor consumpt.	[W]		56
Power draw	[A]		0,4
Max fan absorbed current*	[A]		0,5
Fan speed	[1/min]		1420
Sound pressure level (5 m) 5	[dB(A)@5m]		40
Sound Power Level	[dB(A)]		65
Electric defrost (230 V)	[W]		2.160
N° Fans	[mm]	2 x 275	Weight [kg] 19
Poles	[n]	EC FANS	Connections in [n] x [mm] 1 x 12
Fin spacing	[mm]	7	Connections out [n] x [mm] 1 x 28
Internal volume	[dm3]	2,3	Drain tray connection ["] 3/4
Surface	[m2]	9,8	Overall dimensions [mm] 1.048 x 330 x 415
Max Working pressure	[bar]	24,0	
Casing material	Powder coated galvanized steel RAL 9003	Fin material	Al
Header material	Cu	Tube material	Cu

(2014 thresholds)

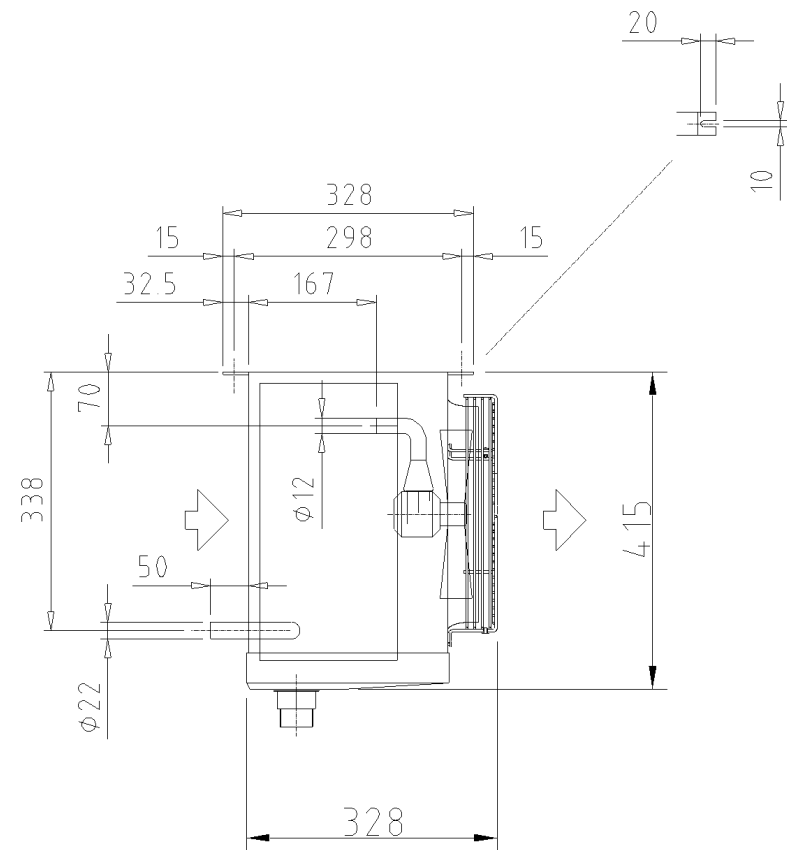
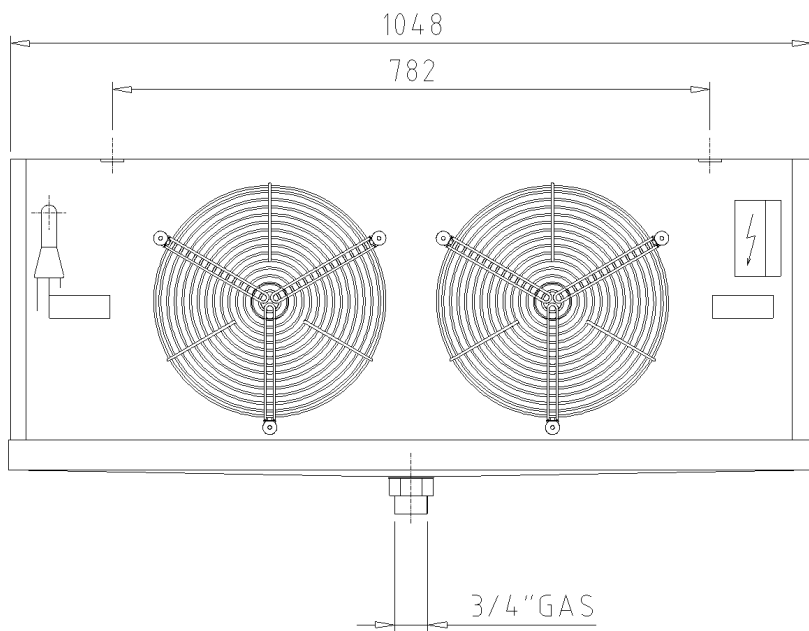
(Fixed speed)

* Refer to LU-VE S.p.A. instruction manuals for details, data and standards. Noise level in 5m free field. The current may increase according to temperature frost quantity, external static pressure. The weight and dimensions are not valid for all possible configurations. All fans are ErP 2015-compliant (Directive 2009/125/EC Energy-related products). LU-VE S.p.A. reserves the right to modify and correct at any time, with or without notice, the specifications and prices listed in the Refriger software.

Accessories:

Q.ty	Code	Type:	Description	List Value
1	30087263	RESIST.ELET. SHB 02 350W	DRAIN TRAY HEATERS	51,07

Unit list value	1 x 1.596,00 €	Delivery
Total List Value	1.647,07 €	Payment conditions
Discount	40 %	Offer Validity
Accessories discount	40 %	
Total net Value	988,24 €	



Date	30-07-2021	Type: SF27HC 46 E 7
Scale	1:1	Code: SF27HC46E

Standard unit without accessories. For the connections please refer to the data sheet.