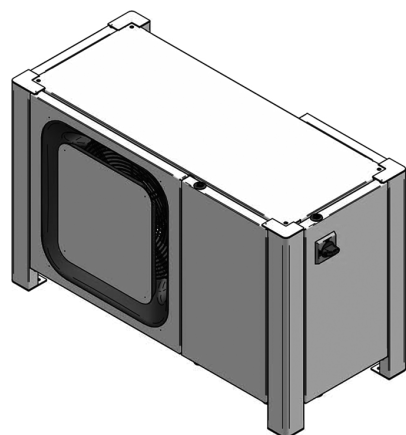


UP-NEU6214Z-EAE00



ENGINEERING CODE
668NAS6C4FI



REFRIGERANT
R-134a



POWER SUPPLY
220-240 V 50 Hz



APPLICATION
HBP



MOTOR TYPE
CSIR



STANDARD
EN13215_RG20

CE

ECODESIGN
COMPLIANT



COOLING CAPACITY
893 W



EFFICIENCY
1.79 W/W

DATA

GENERAL DATA

Model UP-NEU6214Z-EAE00

ELECTRICAL DATA

Rated Load Amperage (RLA) 6.45 A

Maximum Overcurrent Protection (MOP) 14.51 A

Minimum Current Ampacity (MCA) 8.1 A

ACCESSORIES

Heater CRANKCASE HEATER 230V/40W 2464205

Suction valve FSV33 1996806

CONDENSING COMPONENTS

Compressor NEU6214Z MBP

Refrigerant R-134a

Fan Blade Diameter 350 mm

Fankit SA6E350-AN24-13

MECHANICAL DATA

Air Flow	1695 m ³ /h
Height	600 mm
Receiver	1.6 L
Shaft Power	67 W
Weight	54 Kg
Width	982 mm
Length	484 mm

PERFORMANCE

TESTED CONDITIONS

Tested Refrigerant	R-134a
Tested Application	HBP
Tested Standard	EN13215_RG20

RATED POINTS

Ambient Temperature °C	Evaporating Temperature °C	Cooling Capacity W	Efficiency W/W	Consumo de Potencia W
32	-10	893	1.79	499

Test Condition: Subcooling 3 K, Return Gas 20 °C.

PERFORMANCE CURVE

Ambient Temperature 25°C

Evaporating Temperature °C	Cooling Capacity W	Efficiency W/W	Consumo de Potencia W
-15	770	1.75	439
-5	1182	2.25	524
0	1440	2.49	578
5	1727	2.70	639
10	2040	2.89	706

Test Condition: Subcooling 3 K, Return Gas 20 °C.

PERFORMANCE CURVE

Ambient Temperature 32°C

Evaporating Temperature °C	Cooling Capacity W	Efficiency W/W	Consumo de Potencia W
-15	716	1.57	457
-5	1103	2.01	549
0	1342	2.22	605
5	1607	2.41	668
10	1895	2.57	738

Test Condition: Subcooling 3 K, Return Gas 20 °C.

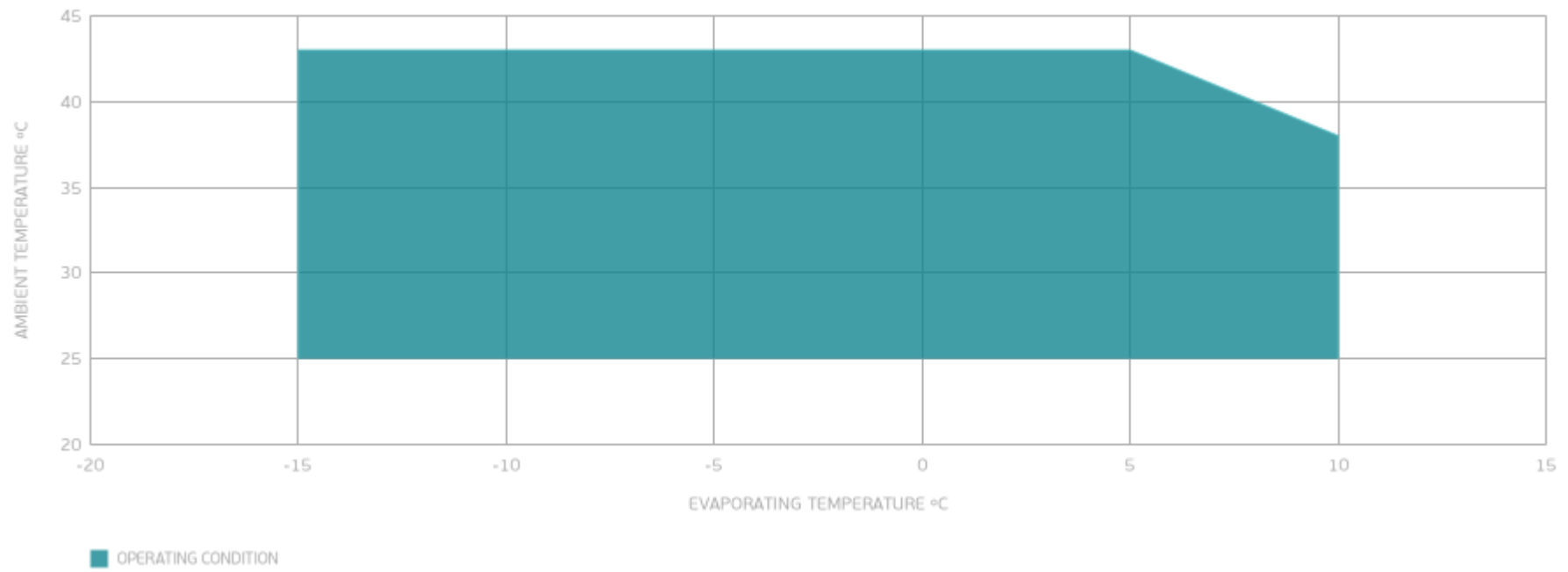
PERFORMANCE CURVE

Ambient Temperature 43°C

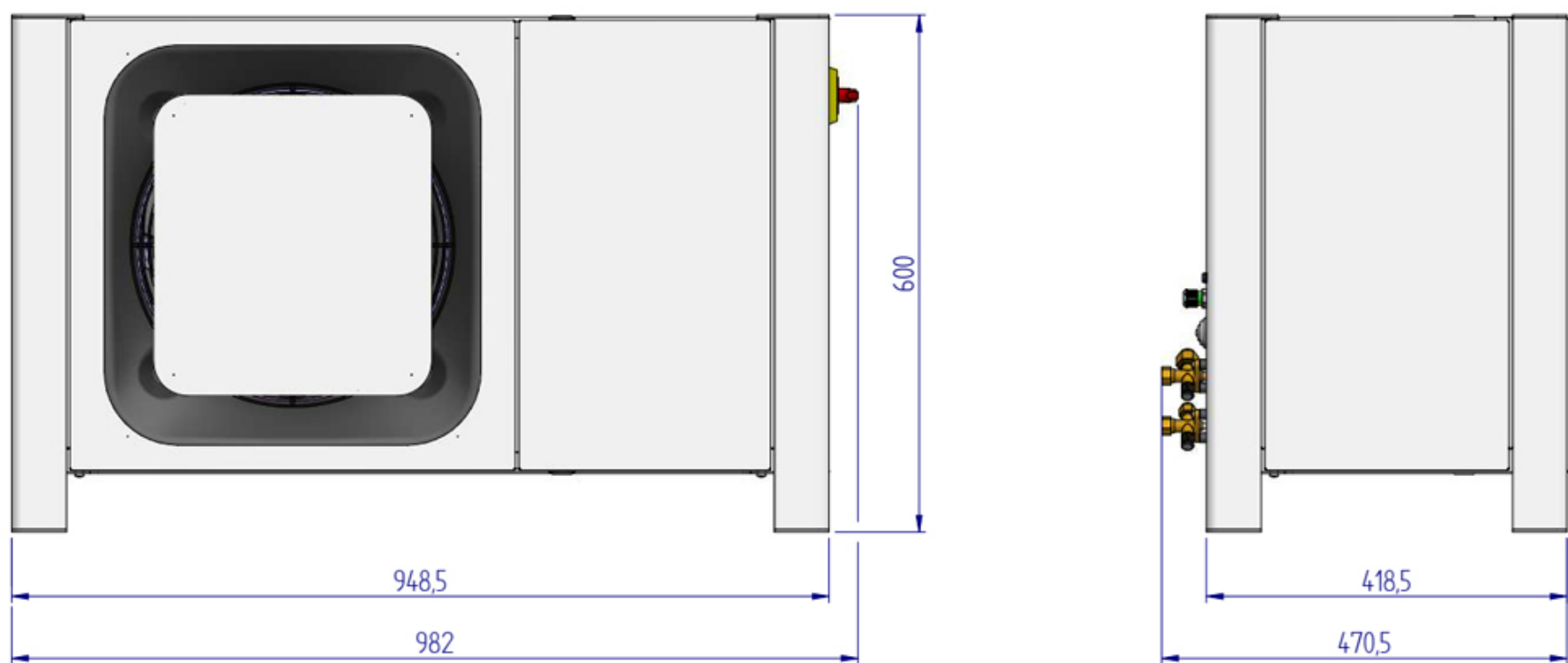
Evaporating Temperature °C	Cooling Capacity W	Efficiency W/W	Consumo de Potencia W
-15	622	1.29	481
-5	963	1.64	588
0	1171	1.80	651
5	1400	1.94	720

Test Condition: Subcooling 3 K, Return Gas 20 °C.

ENVELOPE



EXTERNAL DIMENSIONS



WIRING DIAGRAM

