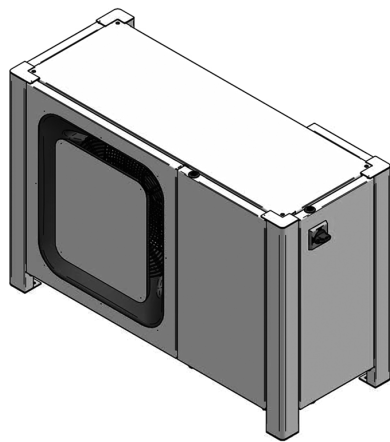


UP-SE2006GS-EAE00



ENGINEERING CODE
5S3AOS6C3FI



REFRIGERANT
R-404A



POWER SUPPLY
380-420 V 50 Hz
/ 460 V 60 Hz



APPLICATION
LBP



MOTOR TYPE
3PH



STANDARD
EN13215_RG20

CE



COOLING CAPACITY
1321 W



EFFICIENCY
1.08 W/W

DATA

GENERAL DATA

Model UP-SE2006GS-EAE00

ELECTRICAL DATA

Rated Load Amperage (RLA) 4.69 A

Maximum Overcurrent Protection (MOP) 10.55 A

Minimum Current Ampacity (MCA) 5.9 A

ACCESSORIES

Dryer	Castel	DF305-M10S
Dualpressostat	DANFOSS	KP17W. (060-1275)
Fanspeed Controller	DANFOSS	XGE-4C (061H3140)
Heater	70W-230V	2464355
Sightglass	Castel	3940_M10
Discharge valve	FSV33	1996809
Suction valve	FSV66	1996809

CONDENSING COMPONENTS

Compressor	SE2006GS	LBP
Refrigerant	R-404A	
Fan Blade Diameter	400 mm	
Fankit	FAN ASSEMBLY HOUSING 2	1996784

MECHANICAL DATA

Air Flow	2673 m ³ /h
Height	708 mm
Receiver	3.9 L
Shaft Power	120 W
Weight	88 Kg
Width	1082 mm
Length	490 mm

PERFORMANCE

TESTED CONDITIONS

Tested Refrigerant	R-404A
Tested Application	LBP
Tested Standard	EN13215_RG20

RATED POINTS

Ambient Temperature °C	Evaporating Temperature °C	Cooling Capacity W	Efficiency W/W	Consumo de Potencia W
32	-35	1321	1.08	1225

Test Condition: Subcooling 3 K, Return Gas 20 °C.

PERFORMANCE CURVE

Ambient Temperature 25°C

Evaporating Temperature °C	Cooling Capacity W	Efficiency W/W	Consumo de Potencia W
-40	1158	1.12	1039
-30	1780	1.51	1176
-25	2179	1.74	1255
-20	2634	1.96	1341
-15	3145	2.19	1434
-10	3711	2.42	1533

Test Condition: Subcooling 3 K, Return Gas 20 °C.

PERFORMANCE CURVE

Ambient Temperature 32°C

Evaporating Temperature °C	Cooling Capacity W	Efficiency W/W	Consumo de Potencia W
-40	1064	0.92	1155
-30	1632	1.25	1303
-25	1994	1.44	1387
-20	2406	1.63	1479
-15	2868	1.82	1578
-10	3378	2.01	1684

Test Condition: Subcooling 3 K, Return Gas 20 °C.

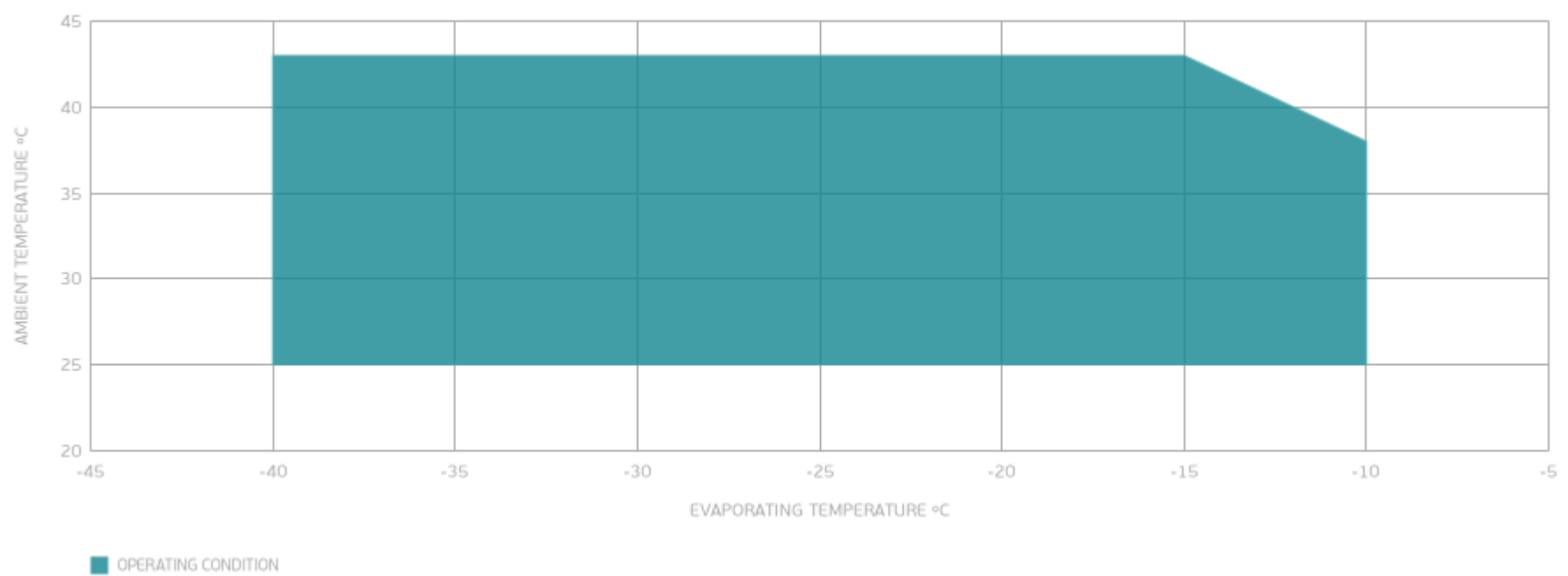
PERFORMANCE CURVE

Ambient Temperature 43°C

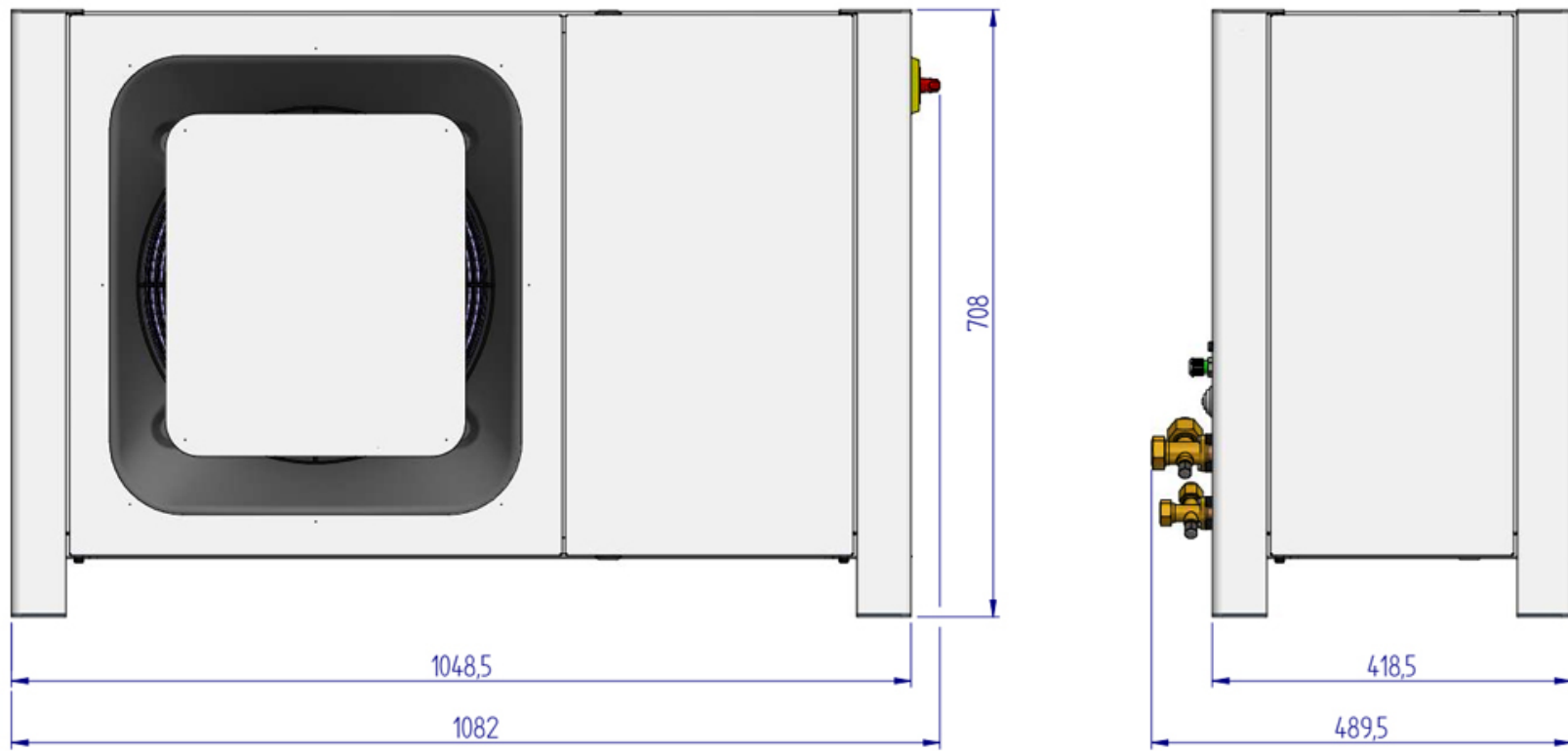
Evaporating Temperature °C	Cooling Capacity W	Efficiency W/W	Consumo de Potencia W
-40	901	0.65	1396
-30	1370	0.88	1561
-25	1668	1.01	1656
-20	2006	1.14	1758
-15	2384	1.28	1868

Test Condition: Subcooling 3 K, Return Gas 20 °C.

ENVELOPE



EXTERNAL DIMENSIONS



WIRING DIAGRAM

