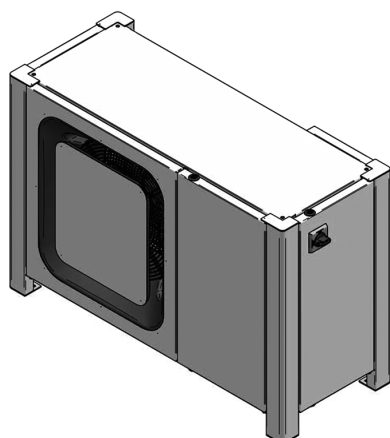


UP-SE2010GK-EAE00



**ENGINEERING CODE**  
5S3CCS6C4FI



**REFRIGERANT**  
R-404A



**POWER SUPPLY**  
220 V 50 Hz



**APPLICATION**  
LBP



**MOTOR TYPE**  
CSR



**STANDARD**  
EN13215\_RG20



**COOLING CAPACITY**  
1916 W



**EFFICIENCY**  
1.03 W/W

CE

ECODESIGN COMPLIANT

DATA

GENERAL DATA

**Model** UP-SE2010GK-EAE00

ELECTRICAL DATA

**Rated Load Amperage (RLA)** 16.73 A

**Maximum Overcurrent Protection (MOP)** 37.64 A

**Minimum Current Ampacity (MCA)** 20.9 A

ACCESSORIES

Dryer	Castel	DF305-M10S
Dualpressostat	DANFOSS	KP17W. (060-1275)
Fanspeed Controller	DANFOSS	XGE-4C (061H3140)
Heater	70W-230V	2464355
Sightglass	Castel	3940_M10
Discharge valve	FSV33	1996809
Suction valve	FSV66	1996809

CONDENSING COMPONENTS

Compressor	SE2010GK	LBP
Refrigerant	R-404A	
Fan Blade Diameter	400 mm	
Fankit	FAN ASSEMBLY HOUSING 2	1996784

## MECHANICAL DATA

Air Flow	2673 m <sup>3</sup> /h
Height	708 mm
Receiver	3.9 L
Shaft Power	120 W
Weight	91 Kg
Width	1082 mm
Length	490 mm

## PERFORMANCE

### TESTED CONDITIONS

Tested Refrigerant	R-404A
Tested Application	LBP
Tested Standard	EN13215_RG20

### RATED POINTS

Ambient Temperature °C	Evaporating Temperature °C	Cooling Capacity W	Efficiency W/W	Consumo de Potencia W
32	-35	1916	1.03	1855

Test Condition: Subcooling 3 K, Return Gas 20 °C.

### PERFORMANCE CURVE

Ambient Temperature 25°C

Evaporating Temperature °C	Cooling Capacity W	Efficiency W/W	Consumo de Potencia W
-40	1697	1.09	1556
-30	2587	1.45	1787
-25	3146	1.64	1922
-20	3775	1.82	2070
-15	4468	2.00	2232
-10	5222	2.17	2408

Test Condition: Subcooling 3 K, Return Gas 20 °C.

## PERFORMANCE CURVE

Ambient Temperature 32°C

Evaporating Temperature °C	Cooling Capacity W	Efficiency W/W	Consumo de Potencia W
-40	1550	0.89	1737
-30	2353	1.18	1987
-25	2855	1.34	2132
-20	3417	1.49	2292
-15	4036	1.64	2466
-10	4705	1.77	2654

Test Condition: Subcooling 3 K, Return Gas 20 °C.

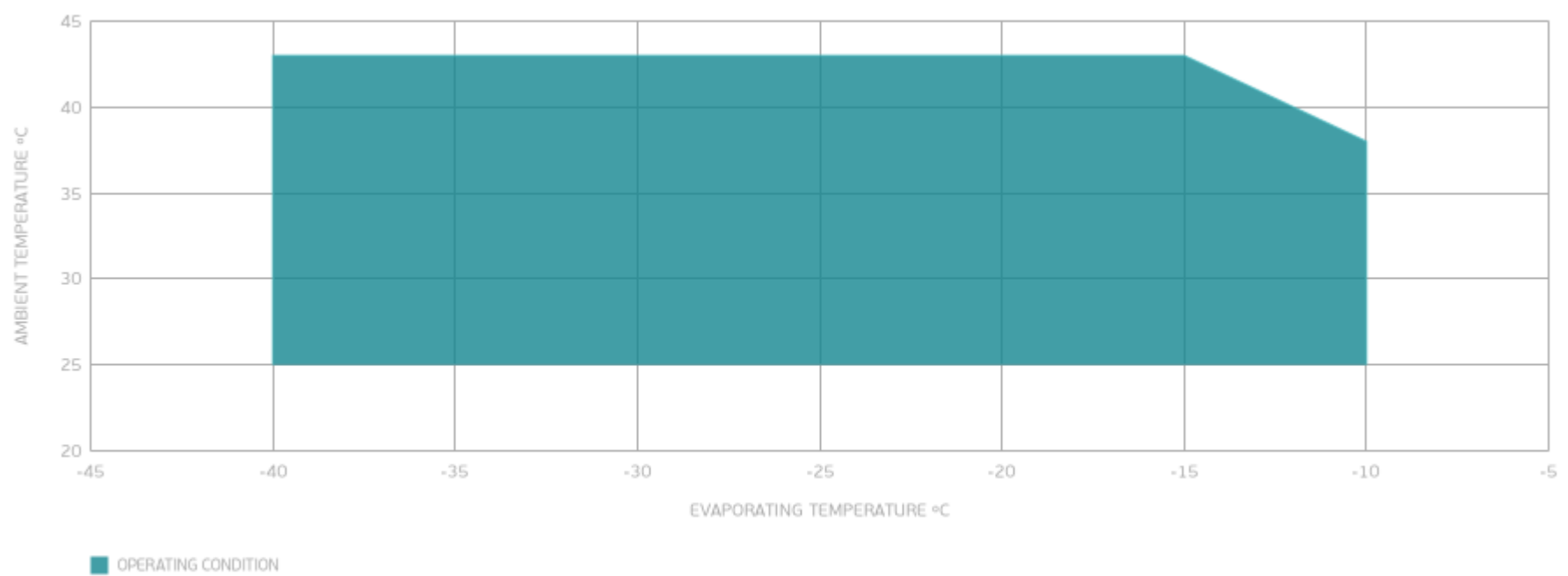
## PERFORMANCE CURVE

Ambient Temperature 43°C

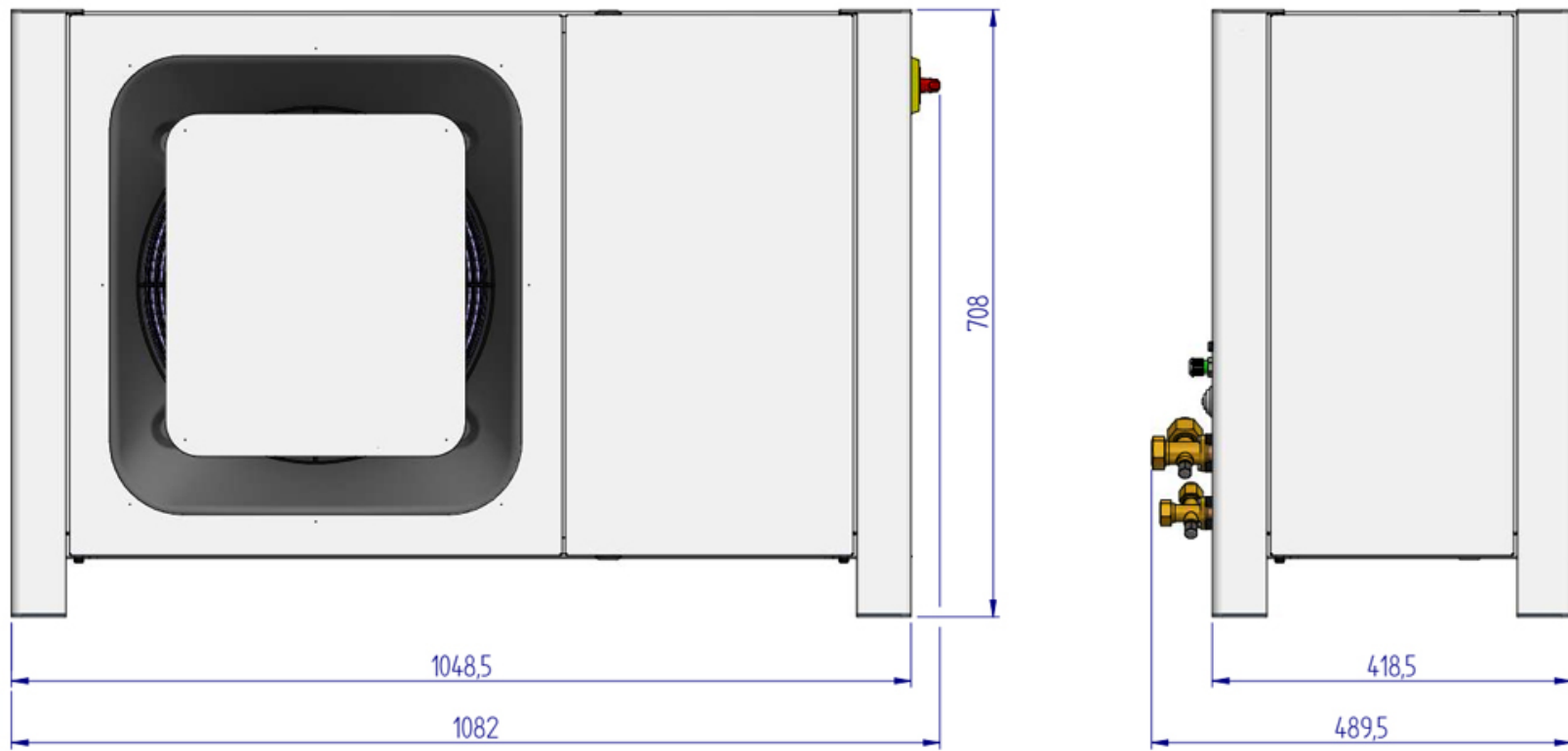
Evaporating Temperature °C	Cooling Capacity W	Efficiency W/W	Consumo de Potencia W
-40	1306	0.61	2141
-30	1953	0.80	2427
-25	2357	0.91	2593
-20	2807	1.01	2774
-15	3298	1.11	2971

Test Condition: Subcooling 3 K, Return Gas 20 °C.

## ENVELOPE



## EXTERNAL DIMENSIONS



## WIRING DIAGRAM

