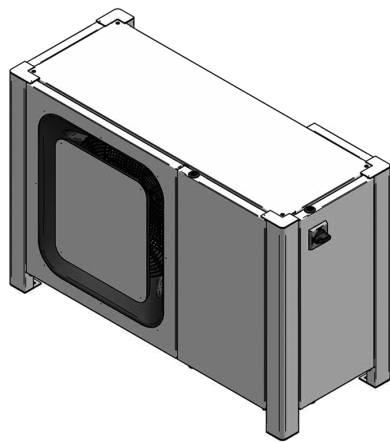


UP-SE6015GK-EAE00



ENGINEERING CODE
6S1ACS6C4FI



REFRIGERANT
R-134a



POWER SUPPLY
220 V 50 Hz



APPLICATION
HBP



MOTOR TYPE
CSR



STANDARD
EN13215_RG20

CE

✓ ECODSIGN
COMPLIANT



COOLING CAPACITY
2245 W



EFFICIENCY
1.97 W/W

DATA

GENERAL DATA

Model UP-SE6015GK-EAE00

ELECTRICAL DATA

Rated Load Amperage (RLA) 14.30 A

Maximum Overcurrent Protection (MOP) 32.18 A

Minimum Current Ampacity (MCA) 17.9 A

ACCESSORIES

Dryer	Castel	DF308-M12S
Dualpressostat	KP17W. (060-1275)	1996777
Fanspeed Controller	DANFOSS	XGE-4C. (061H3140)
Heater	70W-230V	2464355
Sightglass	Castel	3940_M12
Discharge valve	FSV44	1996807
Suction valve	FSV66	1996809

CONDENSING COMPONENTS

Compressor	SE6015GK	M/HBP
Refrigerant	R-404A	
Fan Blade Diameter	400 mm	
Fankit	FAN ASSEMBLY HOUSING 2	1996784

MECHANICAL DATA

Air Flow	2673 m ³ /h
Height	708 mm
Receiver	3.9 L
Shaft Power	120 W
Weight	91 Kg
Width	1082 mm
Length	490 mm

PERFORMANCE

TESTED CONDITIONS

Tested Refrigerant	R-134a
Tested Application	HBP
Tested Standard	EN13215_RG20

RATED POINTS

Ambient Temperature °C	Evaporating Temperature °C	Cooling Capacity W	Efficiency W/W	Consumo de Potencia W
32	-10	2245	1.97	1142

Test Condition: Subcooling 3 K, Return Gas 20 °C.

PERFORMANCE CURVE

Ambient Temperature 25°C

Evaporating Temperature °C	Cooling Capacity W	Efficiency W/W	Consumo de Potencia W
-15	1941	1.96	990
-5	2973	2.66	1116
0	3613	3.05	1186
5	4325	3.44	1259
10	5102	3.83	1331

Test Condition: Subcooling 3 K, Return Gas 20 °C.

PERFORMANCE CURVE

Ambient Temperature 32°C

Evaporating Temperature °C	Cooling Capacity W	Efficiency W/W	Consumo de Potencia W
-15	1796	1.67	1073
-5	2777	2.28	1218
0	3384	2.61	1298
5	4060	2.94	1381
10	4795	3.28	1464

Test Condition: Subcooling 3 K, Return Gas 20 °C.

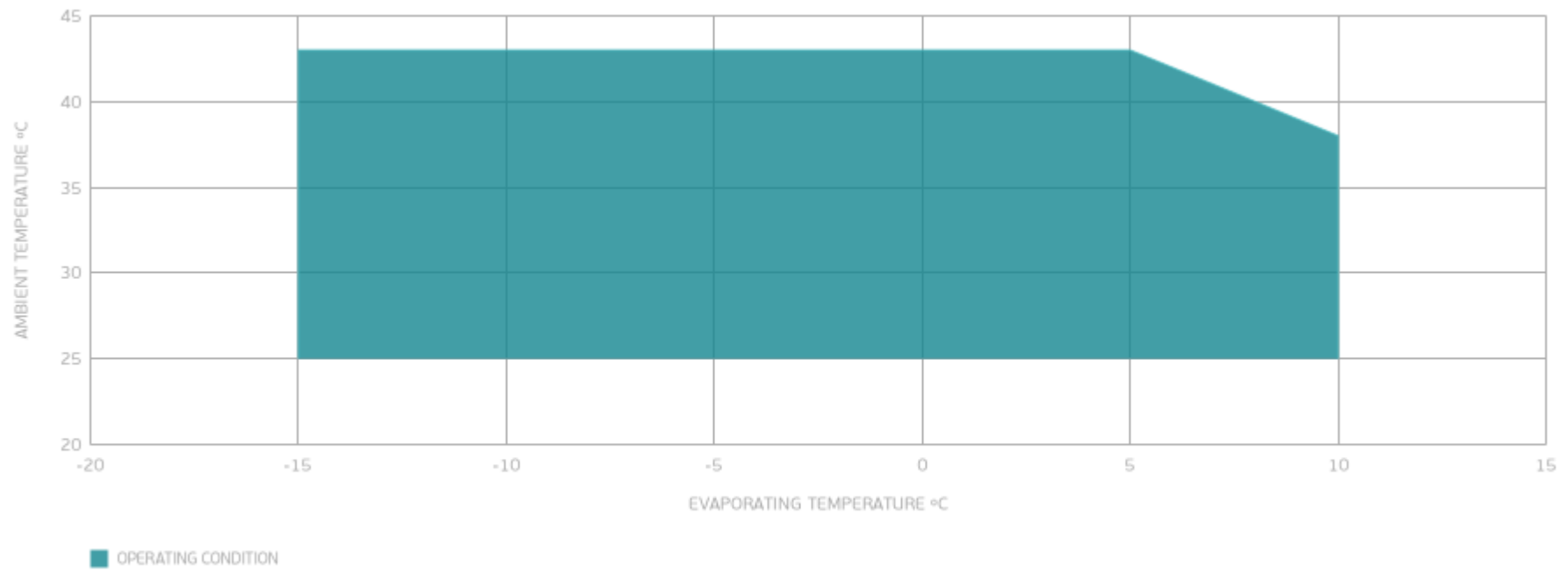
PERFORMANCE CURVE

Ambient Temperature 43°C

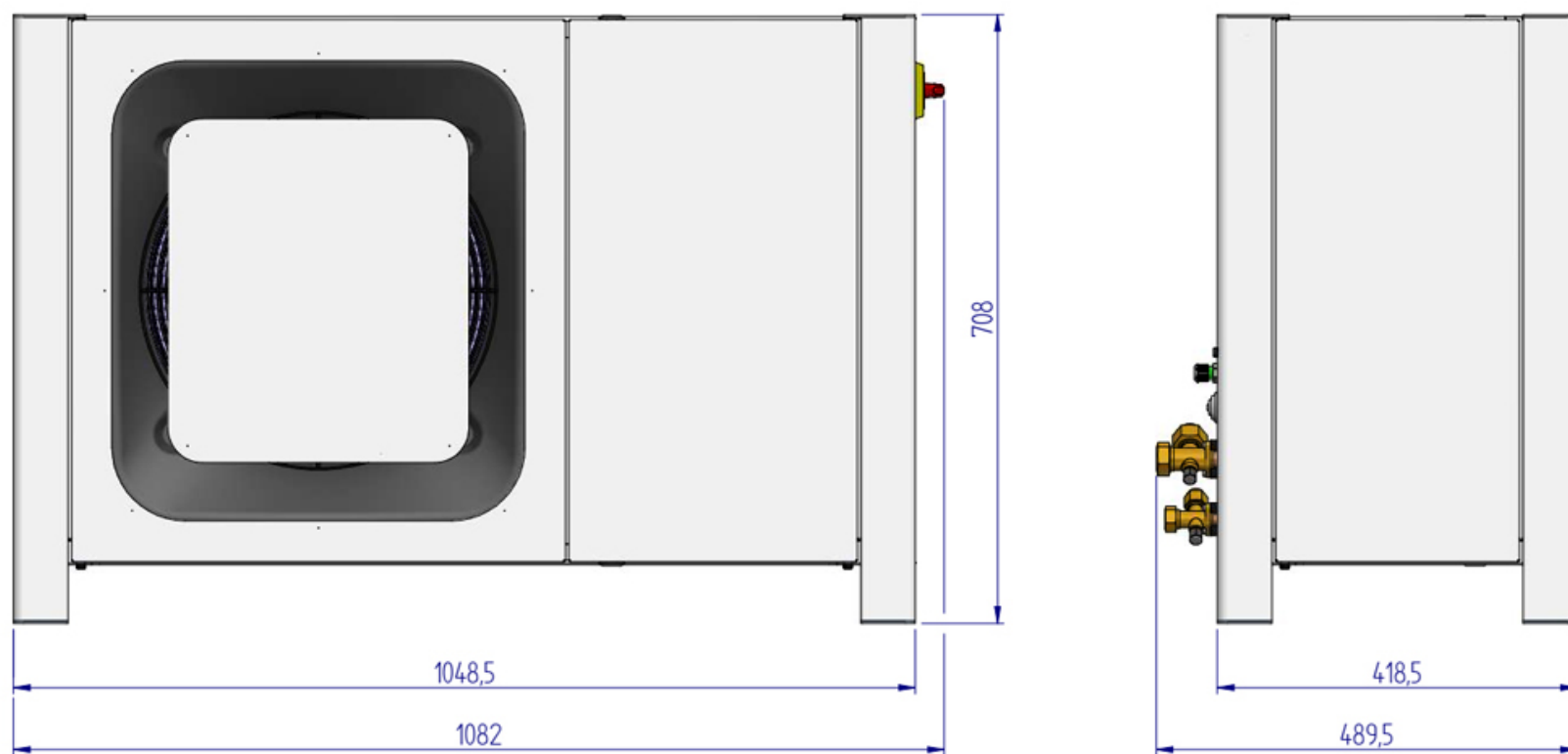
Evaporating Temperature °C	Cooling Capacity W	Efficiency W/W	Consumo de Potencia W
-15	1563	1.28	1220
-5	2438	1.75	1394
0	2982	2.00	1490
5	3588	2.26	1589

Test Condition: Subcooling 3 K, Return Gas 20 °C.

ENVELOPE



EXTERNAL DIMENSIONS



WIRING DIAGRAM

