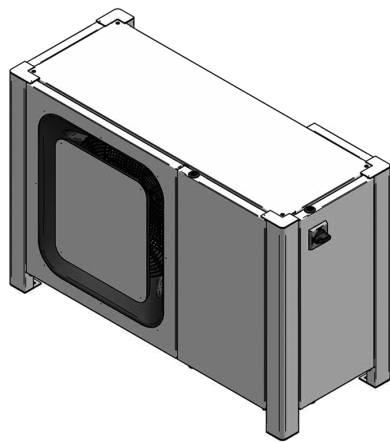



UP-SE6018GK-EAE00



 **ENGINEERING CODE**
6S1BCS6C4FI

 **REFRIGERANT**
R-404A

 **POWER SUPPLY**
220 V 50 Hz

 **APPLICATION**
HBP

 **MOTOR TYPE**
CSR

 **STANDARD**
EN13215_RG20

 **COOLING CAPACITY**
4538 W

 **EFFICIENCY**
2 W/W

CE



DATA

GENERAL DATA

Model UP-SE6018GK-EAE00

ELECTRICAL DATA

Rated Load Amperage (RLA) 16.61 A

Maximum Overcurrent Protection (MOP) 37.37 A

Minimum Current Ampacity (MCA) 20.8 A

ACCESSORIES

Dryer	Castel	DF308-M12S
Dualpressostat	KP17W. (060-1275)	1996777
Fanspeed Controller	DANFOSS	XGE-4C. (061H3140)
Heater	70W-230V	2464355
Sightglass	Castel	3940_M12
Discharge valve	FSV44	1996807
Suction valve	FSV66	1996809

CONDENSING COMPONENTS

Compressor	SE6018GK	M/HBP
Refrigerant	R-404A	
Fan Blade Diameter	400 mm	
Fankit	FAN ASSEMBLY HOUSING 2	1996784

MECHANICAL DATA

Air Flow	2545 m ³ /h
Height	708 mm
Receiver	3.9 L
Shaft Power	120 W
Weight	91 Kg
Width	1082 mm
Length	490 mm

PERFORMANCE

TESTED CONDITIONS

Tested Refrigerant	R-404A
Tested Application	HBP
Tested Standard	EN13215_RG20

RATED POINTS

Ambient Temperature °C	Evaporating Temperature °C	Cooling Capacity W	Efficiency W/W	Consumo de Potencia W
32	-10	4538	2	2264

Test Condition: Subcooling 3 K, Return Gas 20 °C.

PERFORMANCE CURVE

Ambient Temperature 25°C

Evaporating Temperature °C	Cooling Capacity W	Efficiency W/W	Consumo de Potencia W
-20	3512	1.98	1773
-15	4202	2.22	1897
-5	5827	2.68	2171
0	6764	2.92	2319
5	7785	3.15	2474
10	8891	3.37	2634

Test Condition: Subcooling 3 K, Return Gas 20 °C.

PERFORMANCE CURVE

Ambient Temperature 32°C

Evaporating Temperature °C	Cooling Capacity W	Efficiency W/W	Consumo de Potencia W
-20	3218	1.62	1982
-15	3845	1.81	2120
-5	5298	2.19	2414
0	6126	2.38	2569
5	7024	2.57	2729
10	7991	2.76	2893

Test Condition: Subcooling 3 K, Return Gas 20 °C.

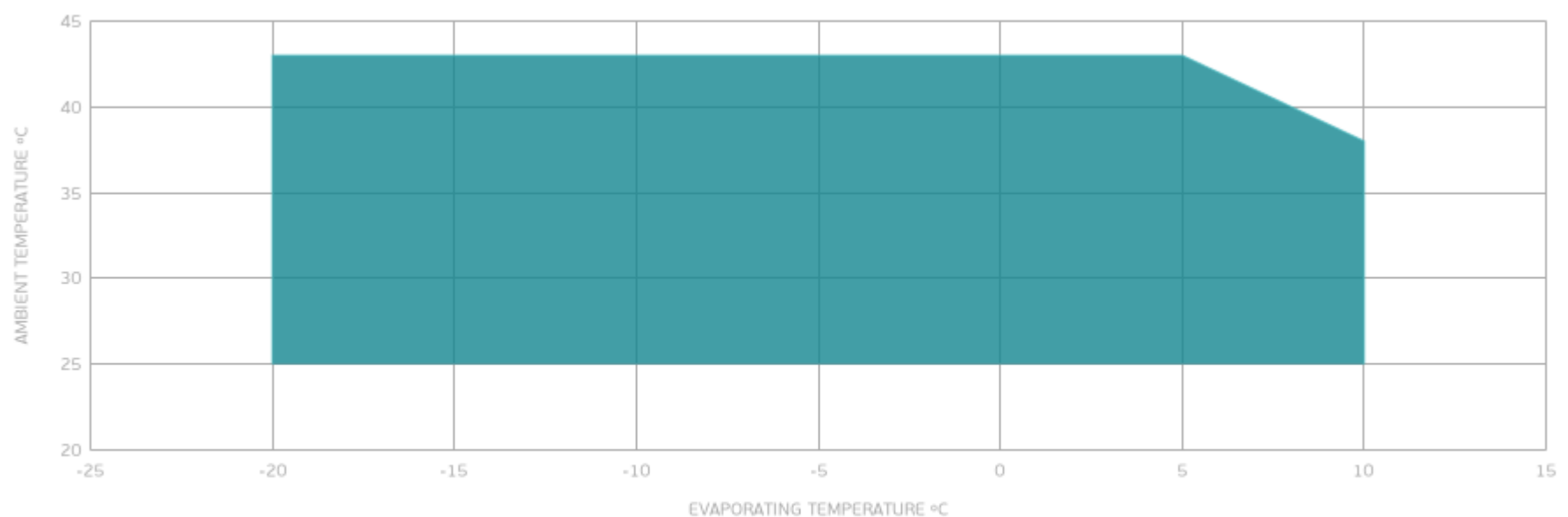
PERFORMANCE CURVE

Ambient Temperature 43°C

Evaporating Temperature °C	Cooling Capacity W	Efficiency W/W	Consumo de Potencia W
-20	2658	1.12	2372
-15	3187	1.26	2531
-5	4374	1.53	2860
0	5034	1.66	3028
5	5740	1.80	3197

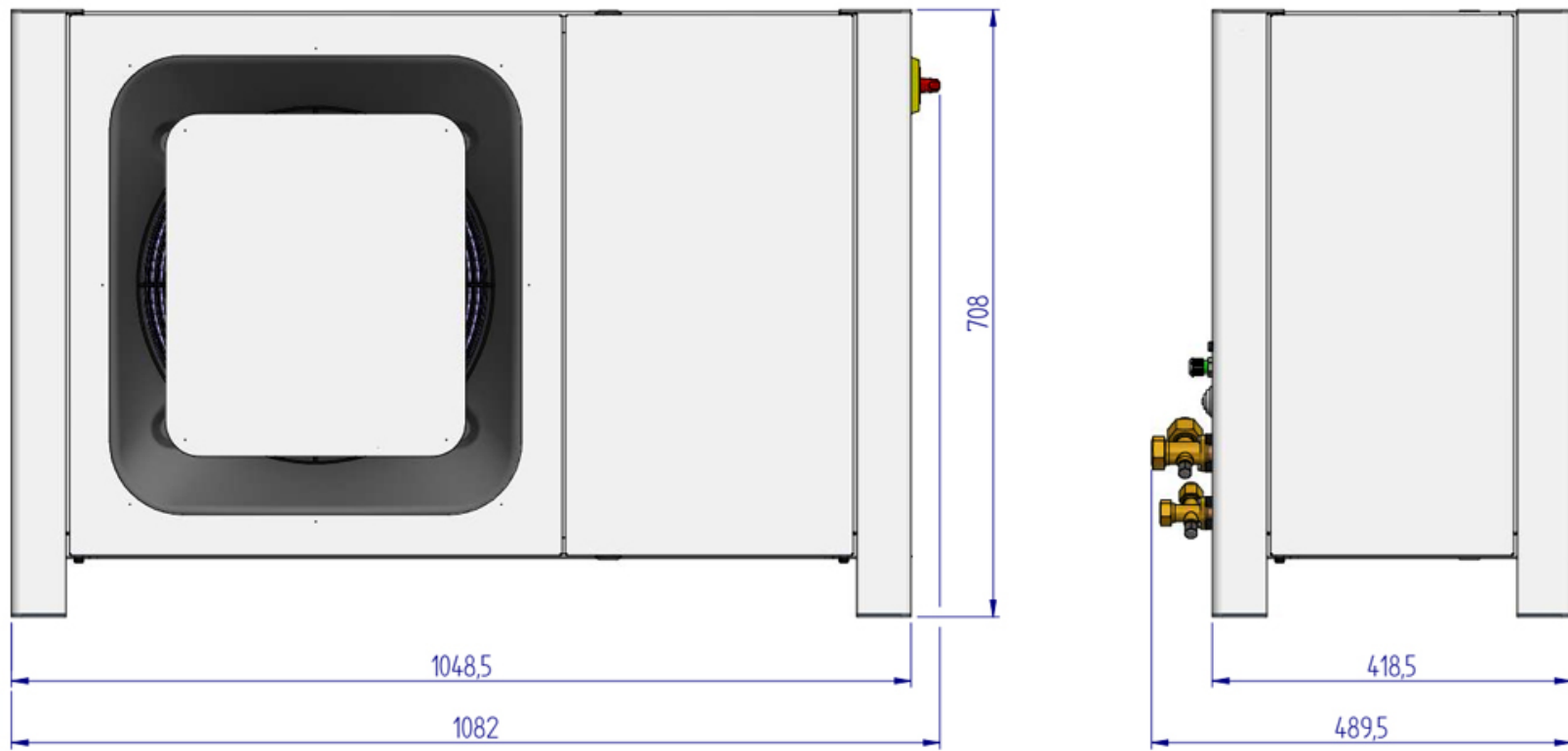
Test Condition: Subcooling 3 K, Return Gas 20 °C.

ENVELOPE



■ OPERATING CONDITION

EXTERNAL DIMENSIONS



WIRING DIAGRAM

