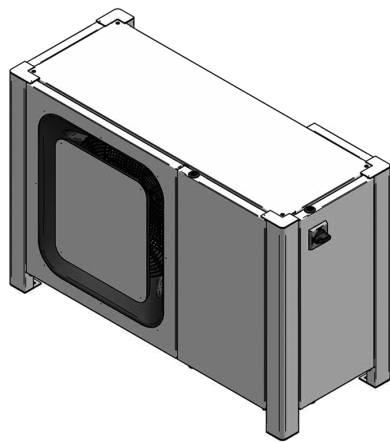


UP-SE6021GK-EAE00



ENGINEERING CODE
6S1CCS6C4FI



REFRIGERANT
R-404A



POWER SUPPLY
220 V 50 Hz



APPLICATION
HBP



MOTOR TYPE
CSR



STANDARD
EN13215_RG20

CE

✓ ECODSIGN
COMPLIANT



COOLING CAPACITY
5060 W



EFFICIENCY
1.97 W/W

DATA

GENERAL DATA

Model UP-SE6021GK-EAE00

ELECTRICAL DATA

Rated Load Amperage (RLA) 18.44 A

Maximum Overcurrent Protection (MOP) 41.49 A

Minimum Current Ampacity (MCA) 23.1 A

ACCESSORIES

Dryer	Castel	DF308-M12S
Dualpressostat	KP17W. (060-1275)	1996778
Fanspeed Controller	DANFOSS	XGE-4C. (061H3140)
Heater	70W-230V	2464355
Sightglass	Castel	3940_M12
Discharge valve	FSV44	1996807
Suction valve	FSV66	1996809

CONDENSING COMPONENTS

Compressor	SE6021GK	M/HBP
Refrigerant	R-404A	
Fan Blade Diameter	400 mm	
Fankit	FAN ASSEMBLY HOUSING 2	1996784

MECHANICAL DATA

Air Flow	2545 m ³ /h
Height	708 mm
Receiver	3.9 L
Shaft Power	120 W
Weight	92 Kg
Width	1082 mm
Length	490 mm

PERFORMANCE

TESTED CONDITIONS

Tested Refrigerant	R-404A
Tested Application	HBP
Tested Standard	EN13215_RG20

RATED POINTS

Ambient Temperature °C	Evaporating Temperature °C	Cooling Capacity W	Efficiency W/W	Consumo de Potencia W
32	-10	5060	1.97	2565

Test Condition: Subcooling 3 K, Return Gas 20 °C.

PERFORMANCE CURVE

Ambient Temperature 25°C

Evaporating Temperature °C	Cooling Capacity W	Efficiency W/W	Consumo de Potencia W
-20	3948	1.98	1996
-15	4713	2.20	2142
-5	6488	2.63	2467
0	7500	2.84	2643
5	8593	3.04	2827
10	9770	3.24	3018

Test Condition: Subcooling 3 K, Return Gas 20 °C.

PERFORMANCE CURVE

Ambient Temperature 32°C

Evaporating Temperature °C	Cooling Capacity W	Efficiency W/W	Consumo de Potencia W
-20	3611	1.62	2233
-15	4303	1.80	2395
-5	5884	2.15	2743
0	6774	2.31	2927
5	7731	2.48	3117
10	8754	2.64	3310

Test Condition: Subcooling 3 K, Return Gas 20 °C.

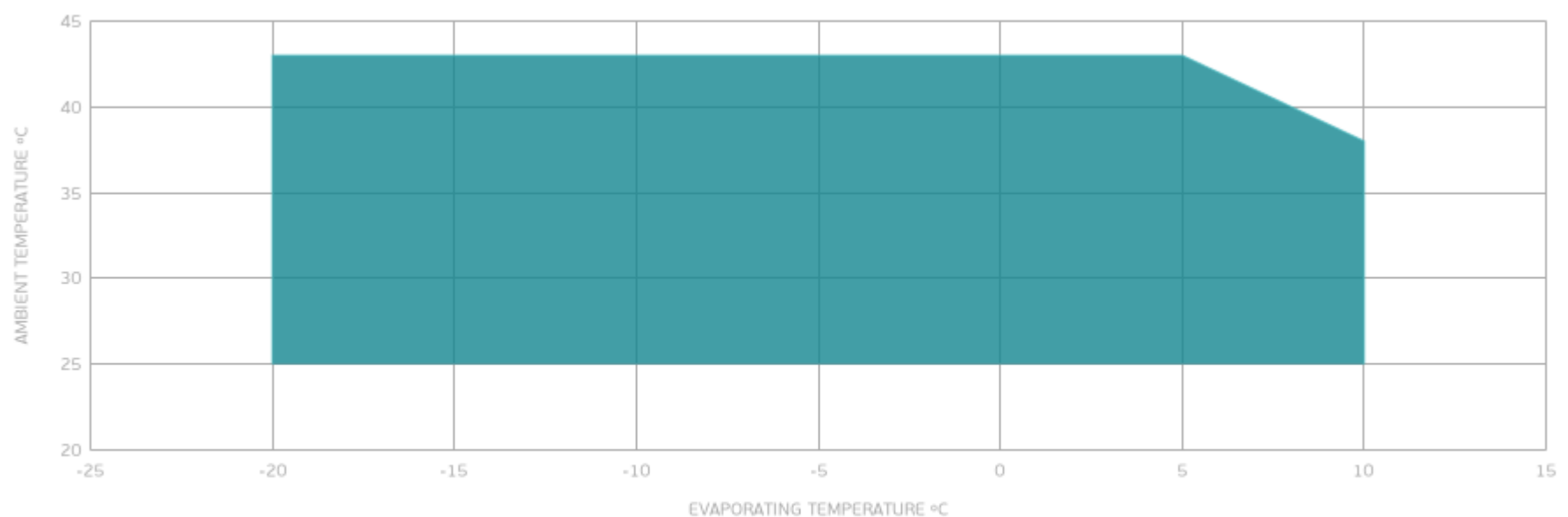
PERFORMANCE CURVE

Ambient Temperature 43°C

Evaporating Temperature °C	Cooling Capacity W	Efficiency W/W	Consumo de Potencia W
-20	2964	1.11	2674
-15	3544	1.24	2860
-5	4826	1.49	3247
0	5528	1.60	3445
5	6272	1.72	3644

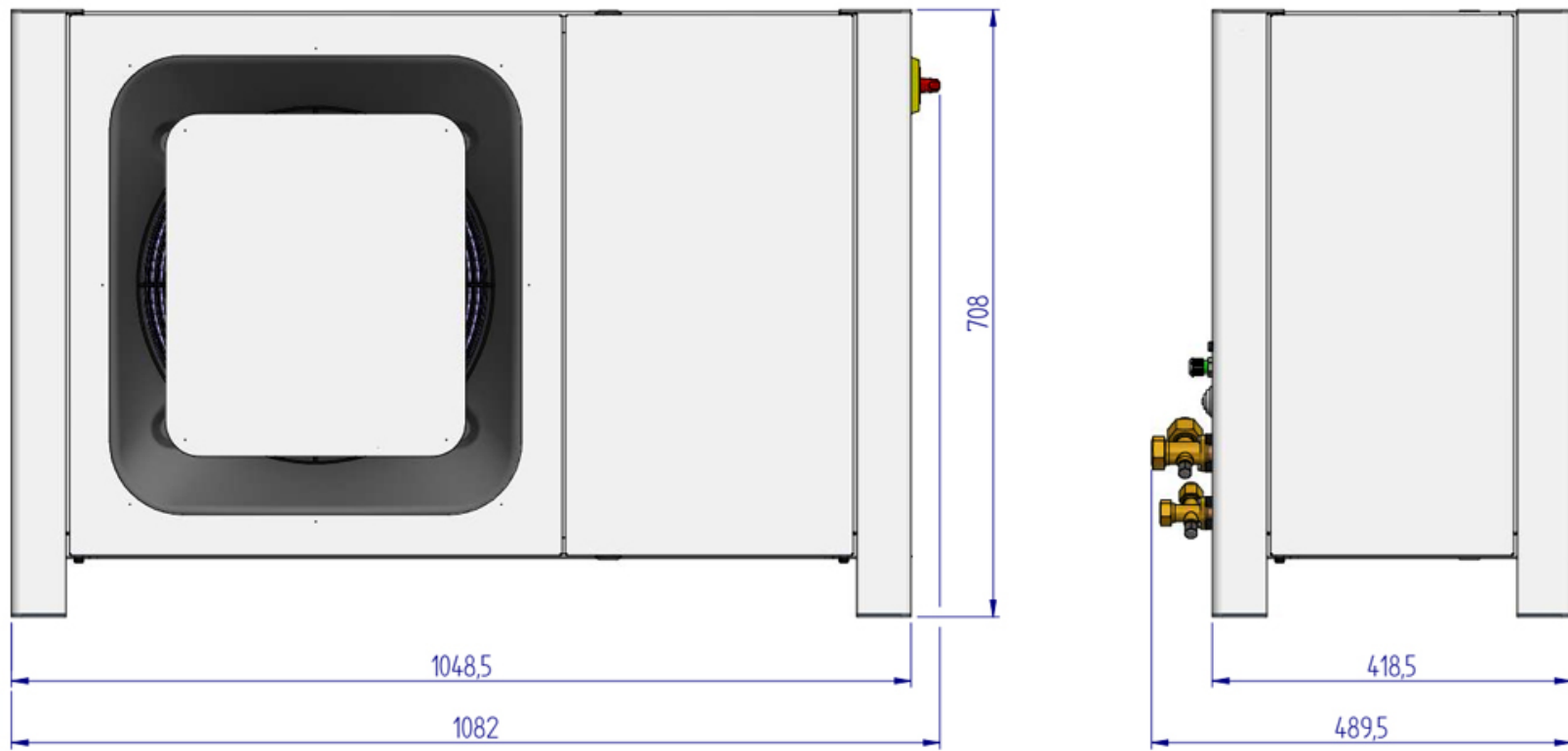
Test Condition: Subcooling 3 K, Return Gas 20 °C.

ENVELOPE



■ OPERATING CONDITION

EXTERNAL DIMENSIONS



WIRING DIAGRAM

