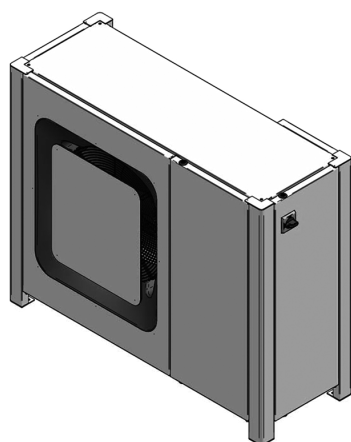


UP-SE6030GS-EAE00



**ENGINEERING CODE**  
6S1DOS6C3FI



**REFRIGERANT**  
R-134a



**POWER SUPPLY**  
380-420 V 50 Hz  
/ 460 V 60 Hz



**APPLICATION**  
HBP



**MOTOR TYPE**  
3PH



**STANDARD**  
EN13215\_RG20



**COOLING CAPACITY**  
4384 W



**EFFICIENCY**  
2.25 W/W

DATA

GENERAL DATA

**Model** UP-SE6030GS-EAE00

ELECTRICAL DATA

**Rated Load Amperage (RLA)** 9.87 A

**Maximum Overcurrent Protection (MOP)** 22.21 A

**Minimum Current Ampacity (MCA)** 12.3 A

ACCESSORIES

Dryer	Castel	DF316-5S
Dualpressostat	KP17W. (060-1275)	1996780
Fanspeed Controller	DANFOSS	XGE-4C. (061H3140)
Heater	70W-230V	2464355
Sightglass	Castel	3940_5
Discharge valve	FSV55	1996808
Suction valve	FSV77	1996810

CONDENSING COMPONENTS

Compressor	SE6030GS	MBP
Refrigerant	R-404A	
Fan Blade Diameter	500 mm	
Fankit	FAN ASSEMBLY HOUSING 3	1996785

## MECHANICAL DATA

Air Flow	5195 m <sup>3</sup> /h
Height	1005 mm
Receiver	6 L
Shaft Power	220 W
Weight	127 Kg
Width	1277 mm
Length	538 mm

## PERFORMANCE

### TESTED CONDITIONS

Tested Refrigerant	R-134a
Tested Application	HBP
Tested Standard	EN13215_RG20

### RATED POINTS

Ambient Temperature °C	Evaporating Temperature °C	Cooling Capacity W	Efficiency W/W	Consumo de Potencia W
32	-10	4384	2.25	1953

Test Condition: Subcooling 3 K, Return Gas 20 °C.

### PERFORMANCE CURVE

Ambient Temperature 25°C

Evaporating Temperature °C	Cooling Capacity W	Efficiency W/W	Consumo de Potencia W
-15	3787	2.23	1697
-5	5800	3.04	1907
0	7051	3.48	2025
5	8445	3.94	2146
10	9966	4.40	2265

Test Condition: Subcooling 3 K, Return Gas 20 °C.

### PERFORMANCE CURVE

Ambient Temperature 32°C

Evaporating Temperature °C	Cooling Capacity W	Efficiency W/W	Consumo de Potencia W
-15	3508	1.91	1838
-5	5425	2.61	2080
0	6614	2.99	2215
5	7937	3.37	2353
10	9379	3.77	2490

Test Condition: Subcooling 3 K, Return Gas 20 °C.

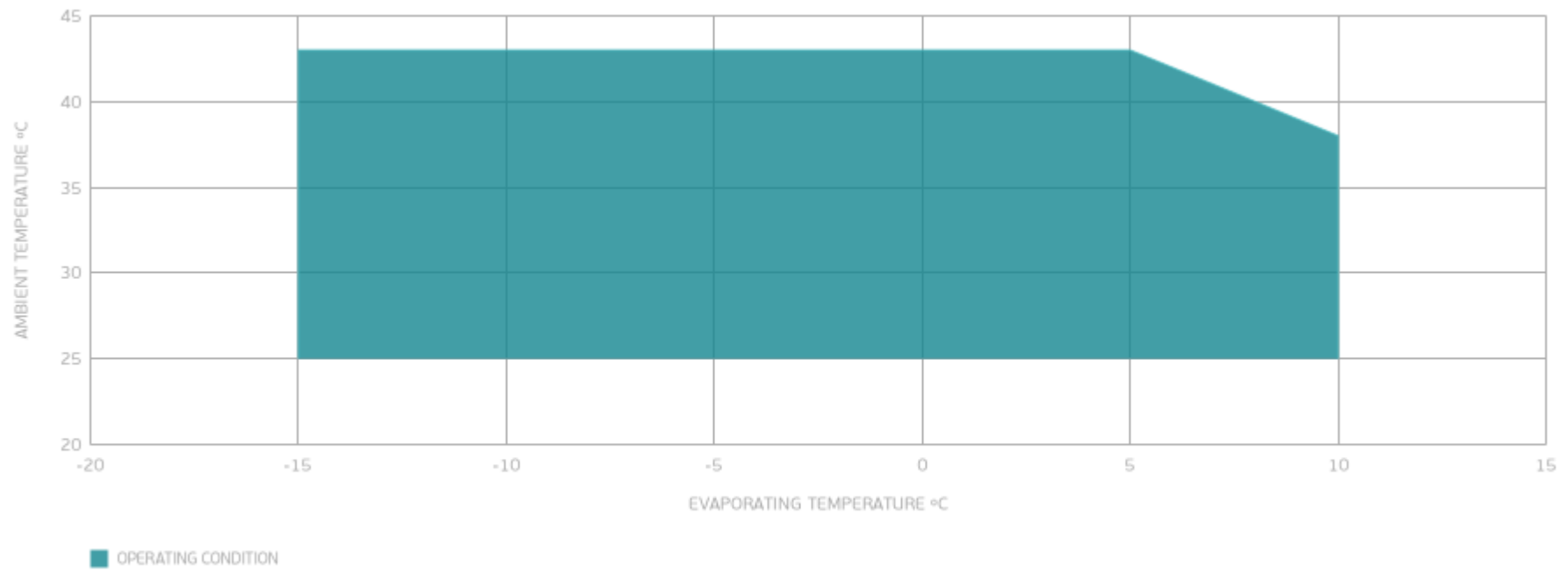
## PERFORMANCE CURVE

Ambient Temperature 43°C

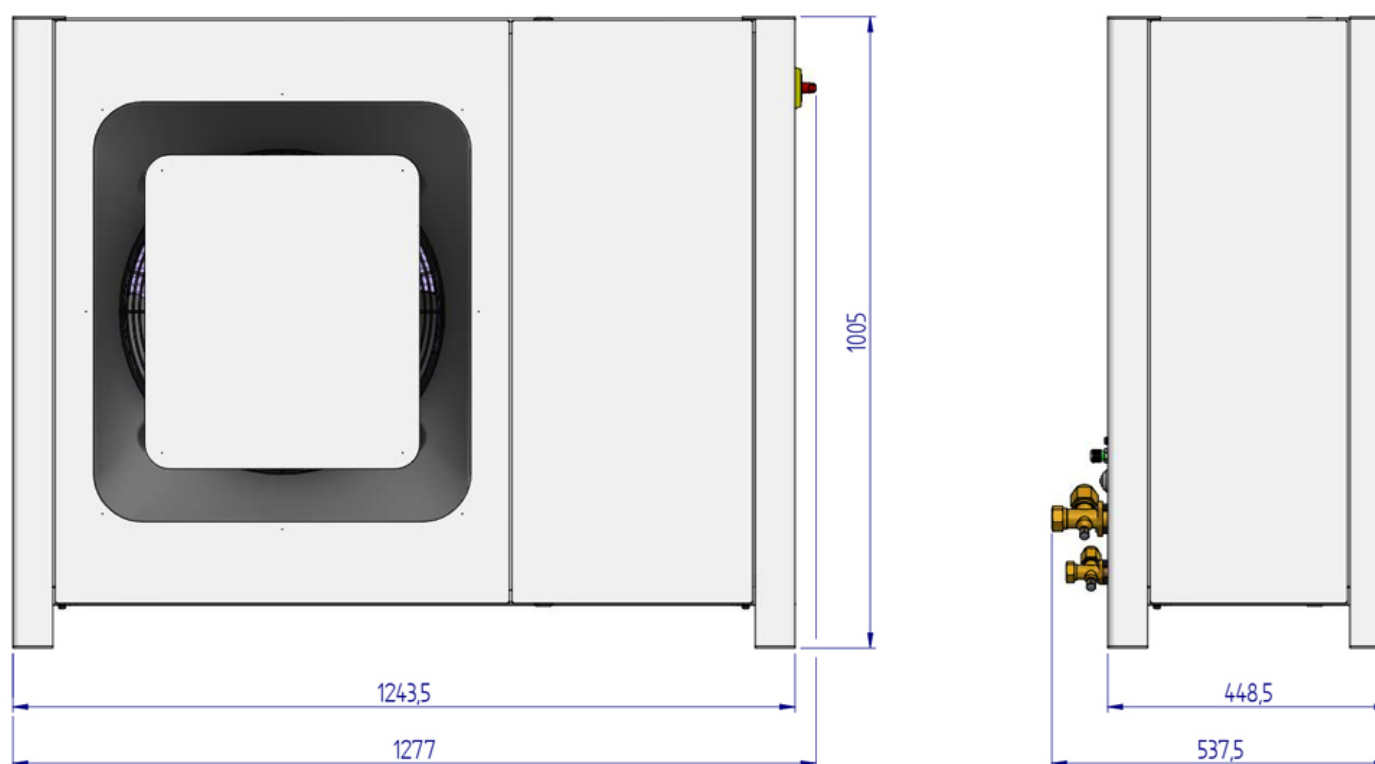
Evaporating Temperature °C	Cooling Capacity W	Efficiency W/W	Consumo de Potencia W
-15	3053	1.46	2086
-5	4771	2.01	2378
0	5840	2.30	2539
5	7028	2.60	2704

Test Condition: Subcooling 3 K, Return Gas 20 °C.

## ENVELOPE



## EXTERNAL DIMENSIONS



# WIRING DIAGRAM

